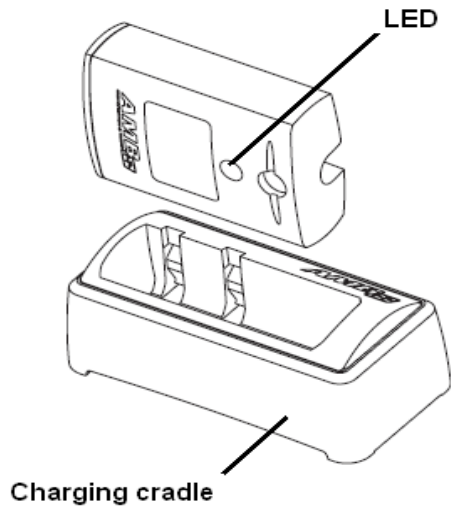




CHARGING INSTRUCTIONS OF A RECHARGEABLE TRANSPONDER

IMPORTANT: AMB recommends to charge the transponder at least every 3 months



Charging Instructions

- Make sure the charging cradle is powered using the power adapter provided with the transponder
- Place the transponder in the charging cradle
- The Transponder's LED will flash red indicating that the transponder is charging
- After about 14 hours, a steady green LED indicates that the transponder is fully charged.

NOTE:

- Do not keep the transponder in the charging cradle much longer than the full charging time.
- Consult the knowledge base of the related transponder for the full specification.