



**at Bishopscourt  
Saturday 2<sup>nd</sup> April 2022**

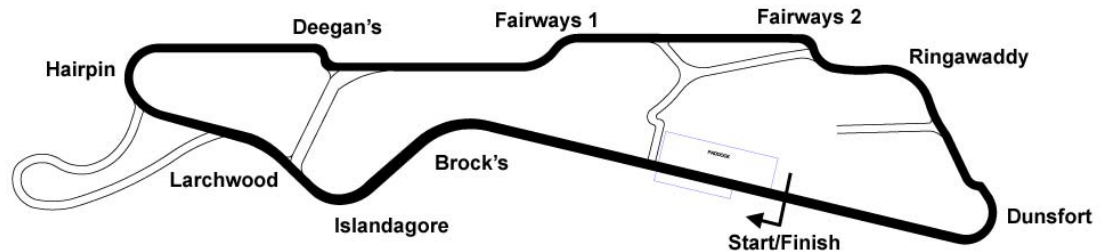
**promoted by  
Temple Motorcycle & Athletic Club  
[www.templemotorcycleclub.com](http://www.templemotorcycleclub.com)**



**MOTO-ONE  
&  
SUPERSPORT 300**



# Bishops court National Circuit 1.824 miles



## LAP RECORDS at the start of the meeting

Class	Rider	Machine	m	s	mph	Date
Moto-ONE	Jonny Campbell	Kawasaki 300	1	19.552	82.542	18-08-18
Supersport 300	Cameron Dawson	Kawasaki 400	1	16.427	85.917	07-08-21
125cc GP	Nigel Percy	Honda	1	13.913	88.840	21-10-07
Moto 3	Richard Kerr	KTM 250	1	13.640	89.169	22-10-16
250cc GP	Mark Hanna	Honda	1	11.963	91.247	16-10-10
Lightweight Supersport	Gary McCoy	Yamaha 400	1	14.021	88.710	18-08-18
Supermono	Dave Walsh	Kramer 690	1	17.811	84.389	18-07-21
Production Twin	Eunan McGlinchey	Suzuki 650	1	12.117	91.052	20-08-17
SuperTwin	Eunan McGlinchey	Kawasaki 650	1	10.252	93.469	20-10-18
Pre-Injection 600	Steven Titterington	Yamaha 600	1	11.917	91.305	19-09-15
Pre-Injection 1000	Andrew Brady	Yamaha 1000	1	12.154	91.005	18-09-21
Supersport	Glenn Irwin	Kawasaki	1	07.474	97.317	25-10-14
Supersport Cup	Eunan McGlinchey	Suzuki	1	09.259	94.809	17-09-17
Superbike	Christian Iddon	BMW	1	05.223	100.676	22-10-16
Superbike Cup	Gary McCoy	Suzuki	1	09.123	94.996	22-10-18
Classic 250cc	Brian Mateer	Suzuki	1	25.419	76.873	16-09-18
Classic 350cc	James Conroy	Honda	1	23.114	79.005	15-04-17
Classic 500cc	Alex Conroy	Honda	1	24.275	77.916	19-04-14
Classic 1000cc	Stephen McKeown	Triumph 750	1	23.210	78.914	18-09-21
Classic GP 250cc	Barry Davidson	Yamaha	1	18.628	83.512	15-04-17
Classic GP 350cc	Gareth Keys	Yamaha	1	15.588	86.871	21-07-18



# USBK R1 - Bishopscourt National

Sorted on best lap time

**SUPERSPORT 300 / Mid-Antrim 150 MOTO-ONE**

**Bishopscourt National 1.824 miles**

**Q9: Qualifying**

**02/04/2022 11:00**

**Practice started at 11:55:43**

Pos	Class	No.	Name	T	Machine	Sponsor	Best Tm	Diff	Gap	Best Speed	In Lap	Laps	2nd Best
<b>MONE</b>													
1	MONE	71	Ruben SHERMAN-BOYD		Tianda 300	Team Wood Academy	1:27.968			74.645	6	10	1:28.110
2	MONE	6	Robert O'NEILL		KTM 390		1:29.454	1.486	1.486	73.405	7	9	1:29.614
3	MONE	82	Paul HANRATTY		Kawasaki 300		1:29.645	1.677	0.191	73.249	5	9	1:29.774
4	MONE	911	Bailey DOBSON		Tianda 300	IMC Scholarship	1:33.137	5.169	3.492	70.503	9	10	1:33.193
5	MONE	975	Cory BARRON		Tianda 300		1:35.578	7.610	2.441	68.702	4	9	1:36.694
6	MONE	974	Alex McCALMONT		Kawasaki 250		1:35.810	7.842	0.232	68.536	9	9	1:36.672
7	MONE	172	Daire VINT		Aprilia 125	DVR	1:48.212	20.244	12.402	60.681	5	8	1:49.173
8	MONE	24	Dean GRAHAM		Kawasaki 300		1:48.791	20.823	0.579	60.358	8	8	1:50.615
9	MONE	914	Sammy-Jo CROSSETT		Kawasaki 250		1:54.033	26.065	5.242	57.583	5	8	1:54.744
<b>SS300</b>													
1	SS300	3	Adam BROWN		Kawasaki 400		1:19.949			82.132	10	11	1:20.603
2	SS300	16	Kai McCLINTOCK		Kawasaki 400	Studio 16	1:21.203	1.254	1.254	80.864	7	10	1:21.865
3	SS300	772	Martin BURNETT		Yamaha 300	Zakado Racing	1:21.772	1.823	0.569	80.301	10	11	1:22.577
4	SS300	15	Callum CLINT		Kawasaki 400		1:22.087	2.138	0.315	79.993	10	11	1:22.470
5	SS300	21	Nicky BURNS		Kawasaki 400	Darren Burns Flooring	1:23.120	3.171	1.033	78.999	8	10	1:23.573

### Announcements

Weather: Bright / Track: Dry

Promoted by Temple Motor Cycle and Athletic Club

Orbits

Provisional result to be confirmed by the Stewards of the Meeting subject to the completion of technical inspections and the time limit for protests  
MCUI (Ulster Centre) Timing @ [www.elaps-timing.com](http://www.elaps-timing.com)



Printed: 10/04/2022 17:31:15



# USBK R1 - Bishopscourt National

SUPERSPORT 300 / Mid-Antrim 150 MOTO-ONE

Bishopscourt National 1.824 miles

Q9: Qualifying

02/04/2022 11:00

Practice started at 11:55:43

<b>(3) Adam BROWN</b>			10	<b>1:22.087</b>		<b>(911) Bailey DOBSON</b>			5	<b>1:52.327</b>	+3.536
1			11	<b>1:24.294</b>	+2.207	1			6	<b>1:51.586</b>	+2.795
2	<b>1:31.866</b>	+11.917	<b>(21) Nicky BURNS</b>			2	<b>1:39.455</b>	+6.318	7	<b>1:50.615</b>	+1.824
3	<b>1:24.731</b>	+4.782	1			3	<b>1:34.947</b>	+1.810	8	<b>1:48.791</b>	
4	<b>1:21.721</b>	+1.772	2	<b>1:34.374</b>	+11.254	4	<b>1:33.780</b>	+0.643	<b>(914) Sammy-Jo CROSSETT</b>		
5	<b>1:21.717</b>	+1.768	3	<b>1:26.332</b>	+3.212	5	<b>1:34.361</b>	+1.224	1		
6	<b>1:20.910</b>	+0.961	4	<b>1:23.954</b>	+0.834	6	<b>1:34.200</b>	+1.063	2	<b>1:59.667</b>	+5.634
7	<b>1:20.691</b>	+0.742	5	<b>1:24.153</b>	+1.033	7	<b>1:33.673</b>	+0.536	3	<b>1:57.112</b>	+3.079
8	<b>1:20.603</b>	+0.654	6	<b>1:24.038</b>	+0.918	8	<b>1:33.458</b>	+0.321	4	<b>1:54.763</b>	+0.730
9	<b>1:21.217</b>	+1.268	7	<b>1:23.976</b>	+0.856	9	<b>1:33.137</b>		5	<b>1:54.033</b>	
10	<b>1:19.949</b>		8	<b>1:23.120</b>		10	<b>1:33.193</b>	+0.056	6	<b>1:55.147</b>	+1.114
11	<b>1:20.970</b>	+1.021	9	<b>1:23.573</b>	+0.453	<b>(975) Cory BARRON</b>			7	<b>1:54.744</b>	+0.711
<b>(16) Kai McCLINTOCK</b>			10	<b>1:24.030</b>	+0.910	1			8	<b>1:55.358</b>	+1.325
1			<b>(71) Ruben SHERMAN-BOYD</b>			2	<b>1:40.231</b>	+4.653			
2	<b>1:27.691</b>	+6.488	1			3	<b>1:36.694</b>	+1.116			
3	<b>1:28.864</b>	+7.661	2	<b>1:28.717</b>	+0.749	4	<b>1:35.578</b>				
4	<b>1:25.937</b>	+4.734	3	<b>1:28.159</b>	+0.191	5	<b>1:36.865</b>	+1.287			
5	<b>1:22.657</b>	+1.454	4	<b>1:28.531</b>	+0.563	6	<b>1:38.639</b>	+3.061			
6	<b>1:24.449</b>	+3.246	5	<b>1:28.110</b>	+0.142	7	<b>1:41.690</b>	+6.112			
7	<b>1:21.203</b>		6	<b>1:27.968</b>		8	<b>1:38.676</b>	+3.098			
8	<b>1:22.790</b>	+1.587	7	<b>1:28.795</b>	+0.827	9	<b>1:38.113</b>	+2.535			
9	<b>1:22.614</b>	+1.411	8	<b>1:29.569</b>	+1.601	<b>(974) Alex McCALMONT</b>					
10	<b>1:21.865</b>	+0.662	9	<b>1:28.617</b>	+0.649	1					
<b>(772) Martin BURNETT</b>			10	<b>1:29.546</b>	+1.578	2	<b>1:45.604</b>	+9.794			
1			<b>(6) Robert O'NEILL</b>			3	<b>1:41.094</b>	+5.284			
2	<b>1:25.179</b>	+3.407	1			4	<b>1:38.886</b>	+3.076			
3	<b>1:24.434</b>	+2.662	2	<b>1:33.255</b>	+3.801	5	<b>1:37.060</b>	+1.250			
4	<b>1:23.529</b>	+1.757	3	<b>1:31.928</b>	+2.474	6	<b>1:36.672</b>	+0.862			
5	<b>1:22.772</b>	+1.000	4	<b>1:29.614</b>	+0.160	7	<b>1:38.017</b>	+2.207			
6	<b>1:23.138</b>	+1.366	5	<b>1:36.227</b>	+6.773	8	<b>1:36.758</b>	+0.948			
7	<b>1:22.577</b>	+0.805	6	<b>1:32.199</b>	+2.745	9	<b>1:35.810</b>				
8	<b>1:23.226</b>	+1.454	7	<b>1:29.454</b>		<b>(172) Daire VINT</b>					
9	<b>1:22.758</b>	+0.986	8	<b>1:37.093</b>	+7.639	1					
10	<b>1:21.772</b>		9	<b>1:56.345</b>	+26.891	2	<b>1:50.086</b>	+1.874			
11	<b>1:23.310</b>	+1.538	<b>(82) Paul HANRATTY</b>			3	<b>1:51.095</b>	+2.883			
<b>(15) Callum CLINT</b>			1			4	<b>1:49.173</b>	+0.961			
1			2	<b>1:35.205</b>	+5.560	5	<b>1:48.212</b>				
2	<b>1:27.053</b>	+4.966	3	<b>1:33.943</b>	+4.298	6	<b>2:07.271</b>	+19.059			
3	<b>1:25.735</b>	+3.648	4	<b>1:29.774</b>	+0.129	7	<b>3:05.367</b>	+1:17.155			
4	<b>1:22.470</b>	+0.383	5	<b>1:29.645</b>		8	<b>1:58.009</b>	+9.797			
5	<b>1:22.780</b>	+0.693	6	<b>1:30.995</b>	+1.350	<b>(24) Dean GRAHAM</b>					
6	<b>1:23.831</b>	+1.744	7	<b>1:30.506</b>	+0.861	1					
7	<b>1:23.000</b>	+0.913	8	<b>1:30.442</b>	+0.797	2	<b>2:02.793</b>	+14.002			
8	<b>1:23.550</b>	+1.463	9	<b>1:30.528</b>	+0.883	3	<b>1:56.398</b>	+7.607			
9	<b>1:22.731</b>	+0.644				4	<b>1:53.139</b>	+4.348			

Promoted by Temple Motor Cycle and Athletic Club

Orbits

Provisional result to be confirmed by the Stewards of the Meeting subject to the completion of technical inspections and the time limit for protests  
MCUI (Ulster Centre) Timing @ www.elaps-timing.com



Printed: 02/04/2022 12:17:28



# USBK R1 - Bishopscourt National

SUPERSPORT 300 / Mid-Antrim 150 MOTO-ONE

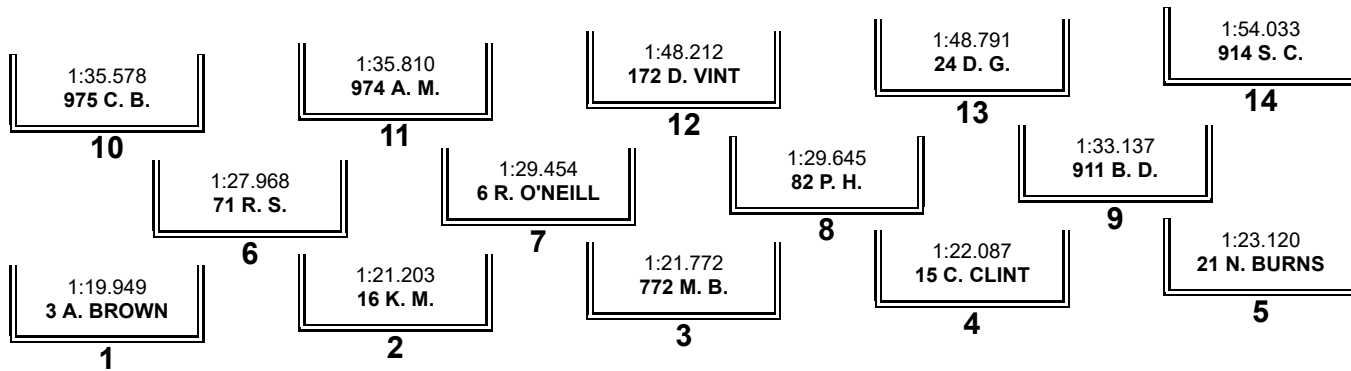
Bishopscourt National 1.824 miles

R8: Race One

02/04/2022 14:35

Race (9 Laps)

3  
2  
1



POLE POSITION



Promoted by Temple Motor Cycle and Athletic Club

Orbits

Provisional result to be confirmed by the Stewards of the Meeting subject to the completion of technical inspections and the time limit for protests  
MCUI (Ulster Centre) Timing @ [www.elaps-timing.com](http://www.elaps-timing.com)



Printed: 02/04/2022 12:19:37



# USBK R1 - Bishopscourt National

Sorted on Laps

**SUPERSPORT 300 / Mid-Antrim 150 MOTO-ONE**

**Bishopscourt National 1.824 miles**

**R8: Race One**

**02/04/2022 14:35**

**Race (6 Laps) started at 15:45:52**

Pos	Class	No.	Name	T	Machine	Sponsor	Laps	Total Tm	Diff	Gap	Avg. Speed	Best Tm	Best Speed	In Lap
<b>MONE</b>														
1	MONE	71	Ruben SHERMAN-BOYD		Tianda 300	Team Wood Academy	6	9:00.533			72.888	1:27.832	74.761	2
2	MONE	6	Robert O'NEILL		KTM 390		6	9:11.245	10.712	10.712	71.472	1:30.321	72.701	2
3	MONE	911	Bailey DOBSON		Tianda 300	IMC Scholarship	6	9:14.198	13.665	2.953	71.091	1:30.640	72.445	6
4	MONE	82	Paul HANRATTY		Kawasaki 300		6	9:15.026	14.493	0.828	70.985	1:30.797	72.320	4
5	MONE	975	Cory BARRON		Tianda 300		6	9:35.574	35.041	20.548	68.451	1:33.701	70.078	4
6	MONE	974	Alex McCALMONT		Kawasaki 250		6	9:42.786	42.253	7.212	67.604	1:34.678	69.355	4
7	MONE	172	Daire VINT		Aprilia 125	DVR	5	9:06.999	1 Lap	1 Lap	60.022	1:47.105	61.308	3
8	MONE	24	Dean GRAHAM		Kawasaki 300		5	9:07.012	1 Lap	0.013	60.021	1:45.862	62.028	5
9	MONE	914	Sammy-Jo CROSSETT		Kawasaki 250		5	9:31.907	1 Lap	24.895	57.408	1:48.207	60.684	5
<b>SS300</b>														
1	SS300	16	Kai McClINTOCK		Kawasaki 400	Studio 16	6	8:12.776			79.952	1:20.199	81.876	6
2	SS300	15	Callum CLINT		Kawasaki 400		6	8:13.553	0.777	0.777	79.826	1:20.401	81.671	6
3	SS300	21	Nicky BURNS		Kawasaki 400	Darren Burns Flooring	6	8:16.753	3.977	3.200	79.312	1:21.284	80.783	6
4	SS300	772	Martin BURNETT		Yamaha 300	Zakado Racing	6	8:34.165	21.389	17.412	76.626	1:23.505	78.635	3
<b>Not classified</b>														
DNF	SS300	3	Adam BROWN		Kawasaki 400			0.000	DNF		-		-	0

### Announcements

Weather: Sunny / Track: Dry

SS300 90% = 71.957 / MONE 90% = 65.599

Margin of Victory	Avg. Speed	Best Lap Tm	Best Speed	Best Lap by
0.777	79.952	1:20.199	81.876	16 - Kai McClINTOCK

Promoted by Temple Motor Cycle and Athletic Club

Orbits

Provisional result to be confirmed by the Stewards of the Meeting subject to the completion of technical inspections and the time limit for protests  
MCUI (Ulster Centre) Timing @ [www.elaps-timing.com](http://www.elaps-timing.com)



Printed: 10/04/2022 17:31:56



# USBK R1 - Bishopscourt National

SUPERSPORT 300 / Mid-Antrim 150 MOTO-ONE

Bishopscourt National 1.824 miles

R8: Race One

02/04/2022 14:35

Race (6 Laps) started at 15:45:52

Rank	Time	Diff	Rank	Time	Diff
<b>(16) Kai McCLINTOCK</b>					
1	1:28.553	+8.354	3	1:49.566	+1.359
2	1:20.829	+0.630	4	1:50.706	+2.499
3	1:20.405	+0.206	5	1:48.207	
4	1:21.777	+1.578			
5	1:21.013	+0.814			
6	1:20.199				
<b>(15) Callum CLINT</b>					
1	1:27.727	+7.326			
2	1:21.454	+1.053			
3	1:21.820	+1.419			
4	1:21.310	+0.909			
5	1:20.841	+0.440			
6	1:20.401				
<b>(21) Nicky BURNS</b>					
1	1:29.442	+8.158			
2	1:21.801	+0.317			
3	1:21.562	+0.278			
4	1:21.487	+0.203			
5	1:21.377	+0.093			
6	1:21.284				
<b>(772) Martin BURNETT</b>					
1	1:35.363	+11.858			
2	1:23.830	+0.325			
3	1:23.505				
4	1:23.859	+0.354			
5	1:23.773	+0.268			
6	1:23.835	+0.330			
<b>(71) Ruben SHERMAN-BOYD</b>					
1	1:37.563	+9.731			
2	1:27.832				
3	1:28.333	+0.501			
4	1:27.963	+0.131			
5	1:28.565	+0.733			
6	1:30.277	+2.445			
<b>(6) Robert O'NEILL</b>					
1	1:37.372	+7.051			
2	1:30.321				
3	1:30.530	+0.209			
4	1:30.710	+0.389			
5	1:31.499	+1.178			
6	1:30.813	+0.492			
<b>(911) Bailey DOBSON</b>					
1	1:38.615	+7.975			
2	1:31.405	+0.765			
3	1:31.120	+0.480			
4	1:31.287	+0.647			
5	1:31.131	+0.491			
6	1:30.640				
<b>(82) Paul HANRATTY</b>					
1	1:39.698	+8.901			
2	1:31.031	+0.234			
3	1:31.616	+0.819			
4	1:30.797				
5	1:31.078	+0.281			
6	1:30.806	+0.009			
<b>(975) Cory BARRON</b>					
1	1:43.099	+9.398			
2	1:34.868	+1.167			
3	1:34.001	+0.300			
4	1:33.701				
5	1:34.584	+0.883			
6	1:35.321	+1.620			
<b>(974) Alex McCALMONT</b>					
1	1:44.499	+9.821			
2	1:35.698	+1.020			
3	1:35.089	+0.411			
4	1:34.678				
5	1:35.840	+1.162			
6	1:36.982	+2.304			
<b>(172) Daire VINT</b>					
1	1:54.189	+7.084			
2	1:49.315	+2.210			
3	1:47.105				
4	1:49.204	+2.099			
5	1:47.186	+0.081			
<b>(24) Dean GRAHAM</b>					
1	1:57.172	+11.310			
2	1:48.973	+3.111			
3	1:47.568	+1.706			
4	1:47.437	+1.575			
5	1:45.862				
<b>(914) Sammy-Jo CROSSETT</b>					
1	2:11.553	+23.346			
2	1:51.875	+3.668			

Promoted by Temple Motor Cycle and Athletic Club

Orbits

Provisional result to be confirmed by the Stewards of the Meeting subject to the completion of technical inspections and the time limit for protests  
MCUI (Ulster Centre) Timing @ www.elaps-timing.com



Printed: 02/04/2022 15:57:45





# USBK R1 - Bishopscourt National

Sorted on Laps

**SUPERSPORT 300 / Mid-Antrim 150 MOTO-ONE**

**Bishopscourt National 1.824 miles**

**R16: Race Two**

**02/04/2022 17:15**

**Race (5 Laps) started at 17:55:25**

Pos	Class	No.	Name	T	Machine	Sponsor	Laps	Total Tm	Diff	Gap	Avg. Speed	Best Tm	Best Speed	In Lap
<b>MONE</b>														
1	MONE	6	Robert O'NEILL		KTM 390		4	6:03.081			72.341	1:28.985	73.792	3
2	MONE	71	Ruben SHERMAN-BOYD		Tianda 300	Team Wood Academy	3	4:34.053	1 Lap	1 Lap	71.881	1:28.769	73.972	3
3	MONE	911	Bailey DOBSON		Tianda 300	IMC Scholarship	3	4:37.598	1 Lap	3.545	70.963	1:30.101	72.878	3
4	MONE	82	Paul HANRATTY		Kawasaki 300		3	4:38.255	1 Lap	0.657	70.795	1:29.816	73.109	3
5	MONE	975	Cory BARRON		Tianda 300		3	4:51.030	1 Lap	12.775	67.688	1:33.719	70.065	2
6	MONE	974	Alex McCALMONT		Kawasaki 250		3	4:55.326	1 Lap	4.296	66.703	1:35.088	69.056	2
7	MONE	914	Sammy-Jo CROSSETT		Kawasaki 250		3	5:22.454	1 Lap	27.128	61.092	1:44.674	62.732	3
8	MONE	172	Daire VINT		Aprilia 125	DVR	3	5:23.806	1 Lap	1.352	60.836	1:45.574	62.197	2
9	MONE	24	Dean GRAHAM		Kawasaki 300		3	5:32.995	1 Lap	9.189	59.158	1:47.284	61.206	2
<b>SS300</b>														
1	SS300	16	Kai McClINTOCK		Kawasaki 400	Studio 16	4	5:27.231			80.266	1:19.817	82.268	2
2	SS300	15	Callum CLINT		Kawasaki 400		4	5:28.556	1.325	1.325	79.943	1:20.484	81.586	2
3	SS300	772	Martin BURNETT		Yamaha 300	Zakado Racing	4	5:30.606	3.375	2.050	79.447	1:20.279	81.795	2
4	SS300	21	Nicky BURNS		Kawasaki 400	Darren Burns Flooring	4	5:37.297	10.066	6.691	77.871	1:21.743	80.330	3
<b>Not classified</b>														
DNF	SS300	3	Adam BROWN		Kawasaki 400		3	4:07.169	DNF		79.699	1:20.254	81.820	2

### Announcements

Red flag after leaders completed 4 laps - result declared

Weather: Sunny / Track: Dry

SS300 90% = 72.239 / MONE 90% = 65.107

Margin of Victory	Avg. Speed	Best Lap Tm	Best Speed	Best Lap by
1.325	80.266	1:19.817	82.268	16 - Kai McClINTOCK

Promoted by Temple Motor Cycle and Athletic Club

Orbits

Provisional result to be confirmed by the Stewards of the Meeting subject

to the completion of technical inspections and the time limit for protests

MCUI (Ulster Centre) Timing @ [www.elaps-timing.com](http://www.elaps-timing.com)



Printed: 10/04/2022 17:32:53





# USBK R1 - Bishopscourt National

SUPERSPORT 300 / Mid-Antrim 150 MOTO-ONE

Bishopscourt National 1.824 miles

R16: Race Two

02/04/2022 17:15

Race (5 Laps) started at 17:55:25

3 1:34.658 +0.939

(16) Kai McCLINTOCK

1	1:27.210	+7.393
2	1:19.817	
3	1:19.860	+0.043
4	1:20.344	+0.527

(974) Alex McCALMONT

1	1:44.489	+9.401
2	1:35.088	
3	1:35.749	+0.661

(15) Callum CLINT

1	1:26.982	+6.498
2	1:20.484	
3	1:20.521	+0.037
4	1:20.569	+0.085

(914) Sammy-Jo CROSSETT

1	1:52.665	+7.991
2	1:45.115	+0.441
3	1:44.674	

(772) Martin BURNETT

1	1:27.371	+7.092
2	1:20.279	
3	1:20.290	+0.011
4	1:22.666	+2.387

(172) Daire VINT

1	1:51.743	+6.169
2	1:45.574	
3	1:46.489	+0.915

(21) Nicky BURNS

1	1:28.272	+6.529
2	1:21.937	+0.194
3	1:21.743	
4	1:25.345	+3.602

(24) Dean GRAHAM

1	1:55.655	+8.371
2	1:47.284	
3	1:50.056	+2.772

(6) Robert O'NEILL

1	1:35.772	+6.787
2	1:29.223	+0.238
3	1:28.985	
4	1:29.101	+0.116

(3) Adam BROWN

1	1:26.293	+6.039
2	1:20.254	
3	1:20.622	+0.368

(71) Ruben SHERMAN-BOYD

1	1:36.030	+7.261
2	1:29.254	+0.485
3	1:28.769	

(911) Bailey DOBSON

1	1:37.241	+7.140
2	1:30.256	+0.155
3	1:30.101	

(82) Paul HANRATTY

1	1:37.913	+8.097
2	1:30.526	+0.710
3	1:29.816	

(975) Cory BARRON

1	1:42.653	+8.934
2	1:33.719	

Promoted by Temple Motor Cycle and Athletic Club

Provisional result to be confirmed by the Stewards of the Meeting subject to the completion of technical inspections and the time limit for protests  
MCUI (Ulster Centre) Timing @ www.elaps-timing.com

Printed: 02/04/2022 18:07:12



Orbits

**USBK - MOTO-ONE - MID-ANTRIM 150 CLUB**

2022

#1

Pos	No.	Name	Total	Dif	Gap	R1	R2
1	6	Robert O'NEILL	45	0	0	20	25
2	71	Ruben SHERMAN-BOYD	45	0	0	25	20
3	911	Bailey DOBSON	32	13	13	16	16
4	82	Paul HANRATTY	26	19	6	13	13
5	975	Cory BARRON	22	23	4	11	11
6	974	Alex McCALMONT	20	25	2	10	10
7	172	Daire VINT	17	28	3	9	8
8	914	Sammy-Jo CROSSETT	16	29	1	7	9
9	24	Dean GRAHAM	15	30	1	8	7

**Event Legend**

#1 02/04/2022 USBK R1 - Bishops court National

**USBK - SUPERSPORT 300**

2022

#1

Pos	No.	Name	Total	Dif	Gap	R1	R2
1	16	Kai McCLINTOCK	50	0	0	25	25
2	15	Callum CLINT	40	10	10	20	20
3	772	Martin BURNETT	29	21	11	13	16
4	21	Nicky BURNS	29	21	0	16	13

**Event Legend**

#1 02/04/2022 USBK R1 - Bishops court National