



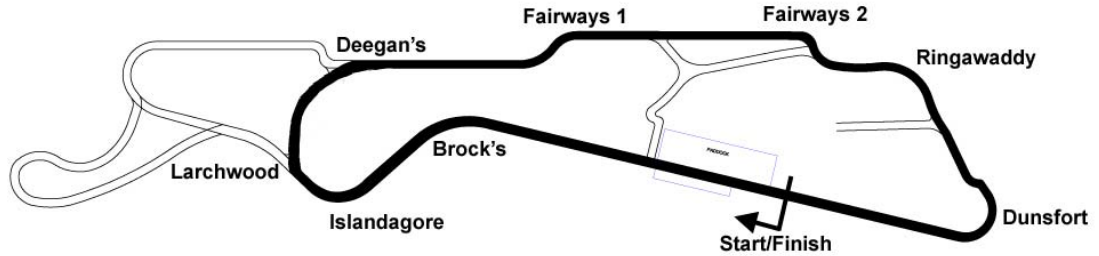
**JMcC ROOFING RACES
at Bishopscourt
Saturday 2nd October 2021**

**promoted by
Mid Antrim 150 Club
www.midantrim150.co.uk
<https://en-gb.facebook.com/midantrim150/>**

**SUPERTWIN
&
PRODUCTION TWIN**



Bishopscourt Intermediate Circuit 1.479 miles



LAP RECORDS at the start of the meeting

Class	Rider	Machine	m	s	mph	Date
Moto-ONE	Kia McGreevy	Aprilia 125	1	07.726	78.617	23-07-11
Supersport 300	Cameron Dawson	Kawasaki 400	1	03.559	83.771	15-06-19
125cc GP	Conor Parkhill	Honda		59.938	88.832	24-09-11
Moto 3	Gary Scott	Honda 250	1	03.943	83.268	15-06-19
250cc GP	Mark Kelly	Honda		57.978	91.835	24-09-11
Classic GP 250cc	to be established					
Classic GP 350cc	Stanley Gamble	Yamaha	1	03.457	83.906	21-07-12
Lightweight Supersport	Carl Phillips	Yamaha 400		59.734	89.135	15-06-19
Production Twin	Mark Abraham	Kawasaki 650	1	00.497	88.011	15-06-19
SuperTwin	Gary McCoy	Kawasaki 650		58.878	90.431	15-06-19
Pre-Injection 600	Stephen McKeown	Honda 600		58.991	90.258	23-07-11
Pre-Injection 1000	to be established					
Supersport	Jonny Buckley	Yamaha		54.897	96.989	24-09-11
Supersport Cup	Timothy Elwood	Yamaha		56.685	93.930	24-09-11
Superbike	Carl Phillips	Kawasaki		54.486	97.721	15-06-19
Superbike Cup	Nico Mawhinney	Suzuki		56.009	95.063	24-09-11
Sidecar	Dylan Lynch	Baker Suzuki	1	00.721	87.686	24-09-11
	Derek Lynch					
Classic 250cc	R J Woolsey	Suzuki	1	12.054	73.895	21-07-12
Classic 350cc	James Conroy	Honda	1	07.305	79.109	21-07-12
Classic 500cc	Alex Conroy	Honda	1	10.383	75.649	21-07-12
Classic 1000cc	Alex Conroy	Yamaha 750	1	10.984	75.008	15-06-19



USBK R6 - Bishopscourt Intermediate

Sorted on best lap time

SUPERTWIN / PRODUCTION TWIN / SUPERMONO Bishopscourt Intermediate 1.479 miles

Q1: Qualifying

02/10/2021 09:15

Practice started at 9:44:48

Pos	Class	No.	Name	T	Machine	Sponsor	Best Tm	Diff	Gap	Best Speed	In Lap	Laps	2nd Best
PTWN													
1	PTWN	11	Paul DEMAINE jnr		Kawasaki	Antrim Rain	1:10.877			75.122	6	9	1:11.000
2	PTWN	127	Gareth MORRELL		Suzuki		1:11.656	0.779	0.779	74.305	8	9	1:11.666
3	PTWN	21	Nicholas BURNS		Kawasaki	Sawdust & Splinters	1:15.336	4.459	3.680	70.675	7	8	1:15.929
4	PTWN	99	Duane LEWIS		Suzuki		1:15.427	4.550	0.091	70.590	8	8	1:16.929
5	PTWN	43	Tom GREENWOOD		Kawasaki	Madbros	1:15.737	4.860	0.310	70.301	7	7	1:16.790
6	PTWN	25	Michael McKERNAN		Suzuki		1:16.910	6.033	1.173	69.229	4	8	1:16.958
7	PTWN	82	Paul HANRATTY		Suzuki		1:19.495	8.618	2.585	66.978	8	8	1:20.346
8	PTWN	92	Graham McALEESE		Suzuki		1:27.351	16.474	7.856	60.954	2	3	1:42.373
9	PTWN	47	Alan DUFFY		Suzuki					-		0	
STWN													
1	STWN	13	Gary McCOY		Kawasaki	KMR Kawasaki	1:07.203			79.229	5	7	1:08.113
2	STWN	232	Jack OLIVER		Kawasaki	McKinstry Racing	1:08.236	1.033	1.033	78.029	9	9	1:08.629
3	STWN	29	Ryan FENTON		Suzuki	Trison McMullan Racing	1:09.661	2.458	1.425	76.433	8	8	1:09.881
4	STWN	65	Michael SWEENEY		Kawasaki	KBS	1:09.676	2.473	0.015	76.417	7	7	1:10.041
5	STWN	77	Dave LIDDY		Suzuki	Rachel's DFR	1:13.166	5.963	3.490	72.772	7	7	1:14.166
6	STWN	175	Michael GAHAN		Kawasaki		1:14.940	7.737	1.774	71.049	7	7	1:16.442
7	STWN	165	Jamie BORELAND		Kawasaki	CD Racing	1:15.725	8.522	0.785	70.312	2	3	1:28.324
8	STWN	119	Kris DUNCAN		Kawasaki	Turrieff Caravan Centre	1:16.244	9.041	0.519	69.834	5	5	1:16.258
9	STWN	61	Jonathan WATT		Kawasaki	Woolsey Concrete	1:18.514	11.311	2.270	67.815	8	8	1:18.762
10	STWN	12	Chris WEIR		Suzuki		1:20.641	13.438	2.127	66.026	2	3	1:32.007
11	STWN	46	Mark JOHNSON		Kawasaki	MJ Racing	1:20.859	13.656	0.218	65.848	6	7	1:21.758
12	STWN	42	Brian LOUGHLIN		Kawasaki	G2-Tech	1:45.864	38.661	25.005	50.295	4	4	1:49.388

Announcements

Weather: Cloudy / Track: Wet

Promoted by Mid-Antrim 150 Motorcycle Club

Orbits

Provisional result to be confirmed by the Stewards of the Meeting subject to the completion of technical inspections and the time limit for protests
MCUI (Ulster Centre) Timing @ www.elaps-timing.com



Printed: 02/10/2021 09:57:42



USBK R6 - Bishopscourt Intermediate

SUPERTWIN / PRODUCTION TWIN / SUPERMONO Bishopscourt Intermediate 1.479 miles

Q1: Qualifying

02/10/2021 09:15

Practice started at 9:44:48

(13) Gary McCOY			9 1:12.457 +1.580			8 1:15.427			6 1:22.156 +2.661		
1			(127) Gareth MORRELL			(165) Jamie BORELAND			7 1:20.845 +1.150		
2 1:10.122 +2.919			1			1			8 1:19.495		
3 1:08.113 +0.910			2 1:15.268 +3.612			2 1:15.725			(12) Chris WEIR		
4 1:08.401 +1.198			3 1:13.655 +1.999			3 1:28.324 +12.599			1		
5 1:07.203			4 1:14.282 +2.626			(43) Tom GREENWOOD			2 1:20.641		
6 1:17.662 +10.459			5 1:14.848 +3.192			1			3 1:32.007 +11.366		
7 2:10.001 +102.798			6 1:12.756 +1.100			2 1:21.063 +5.326			(46) Mark JOHNSON		
(232) Jack OLIVER			7 1:12.326 +0.670			3 1:16.982 +1.245			1		
1			8 1:11.656			4 1:16.790 +1.053			2 1:24.976 +4.117		
2 1:15.815 +7.579			9 1:11.666 +0.010			5 1:38.157 +22.420			3 1:22.181 +1.322		
3 1:12.594 +4.358			(77) Dave LIDDY			6 1:55.554 +39.817			4 1:22.207 +1.348		
4 1:11.014 +2.778			1			7 1:15.737			5 1:21.758 +0.899		
5 1:10.501 +2.265			2 1:14.573 +1.407			(119) Kris DUNCAN			6 1:20.859		
6 1:08.700 +0.464			3 1:15.064 +1.898			1			(92) Graham McALEESE		
7 1:08.629 +0.393			4 1:15.144 +1.978			2 1:18.942 +2.698			1		
8 1:08.742 +0.506			5 1:15.436 +2.270			3 1:17.278 +1.034			2 1:27.351		
9 1:08.236			6 1:14.166 +1.000			4 1:16.258 +0.014			3 1:42.373 +15.022		
(29) Ryan FENTON			7 1:13.166			5 1:16.244			(42) Brian LOUGHLIN		
1			(175) Michael GAHAN			(25) Michael McKERNAN			1		
2 1:12.543 +2.882			1			1			2 1:49.388 +3.524		
3 1:11.106 +1.445			2 1:28.444 +13.504			2 1:19.922 +3.012			3 1:54.061 +8.197		
4 1:10.662 +1.001			3 1:24.285 +9.345			3 1:19.984 +3.074			4 1:45.864		
5 1:25.659 +15.998			4 1:22.078 +7.138			4 1:16.910					
6 2:27.467 +117.806			5 1:19.612 +4.672			5 1:19.513 +2.603					
7 1:09.881 +0.220			6 1:16.442 +1.502			6 1:16.958 +0.048					
8 1:09.661			7 1:14.940			7 1:17.084 +0.174					
(65) Michael SWEENEY			(21) Nicholas BURNS			8 1:18.178 +1.268					
1			1			(61) Jonathan WATT					
2 1:17.404 +7.728			2 1:19.397 +4.061			1					
3 1:28.862 +19.186			3 1:18.790 +3.454			2 1:22.643 +4.129					
4 2:46.447 +136.771			4 1:17.865 +2.529			3 1:21.658 +3.144					
5 1:10.821 +1.145			5 1:16.818 +1.482			4 1:22.231 +3.717					
6 1:10.041 +0.365			6 1:17.082 +1.746			5 1:20.725 +2.211					
7 1:09.676			7 1:15.336			6 1:18.988 +0.474					
(11) Paul DEMAINE jnr			8 1:15.929 +0.593			7 1:18.762 +0.248					
1			(99) Duane LEWIS			8 1:18.514					
2 1:15.958 +5.081			1			(82) Paul HANRATTY					
3 1:12.367 +1.490			2 1:20.579 +5.152			1					
4 1:14.011 +3.134			3 1:20.354 +4.927			2 1:23.414 +3.919					
5 1:13.589 +2.712			4 1:19.558 +4.131			3 1:20.346 +0.851					
6 1:10.377			5 1:17.247 +1.820			4 1:22.777 +3.282					
7 1:11.001 +0.124			6 1:17.066 +1.639			5 1:21.500 +2.005					
8 1:11.000 +0.123			7 1:16.929 +1.502								

Promoted by Mid-Antrim 150 Motorcycle Club

Provisional result to be confirmed by the Stewards of the Meeting subject to the completion of technical inspections and the time limit for protests
MCUI (Ulster Centre) Timing @ www.elaps-timing.com

Printed: 02/10/2021 09:59:09



Orbits



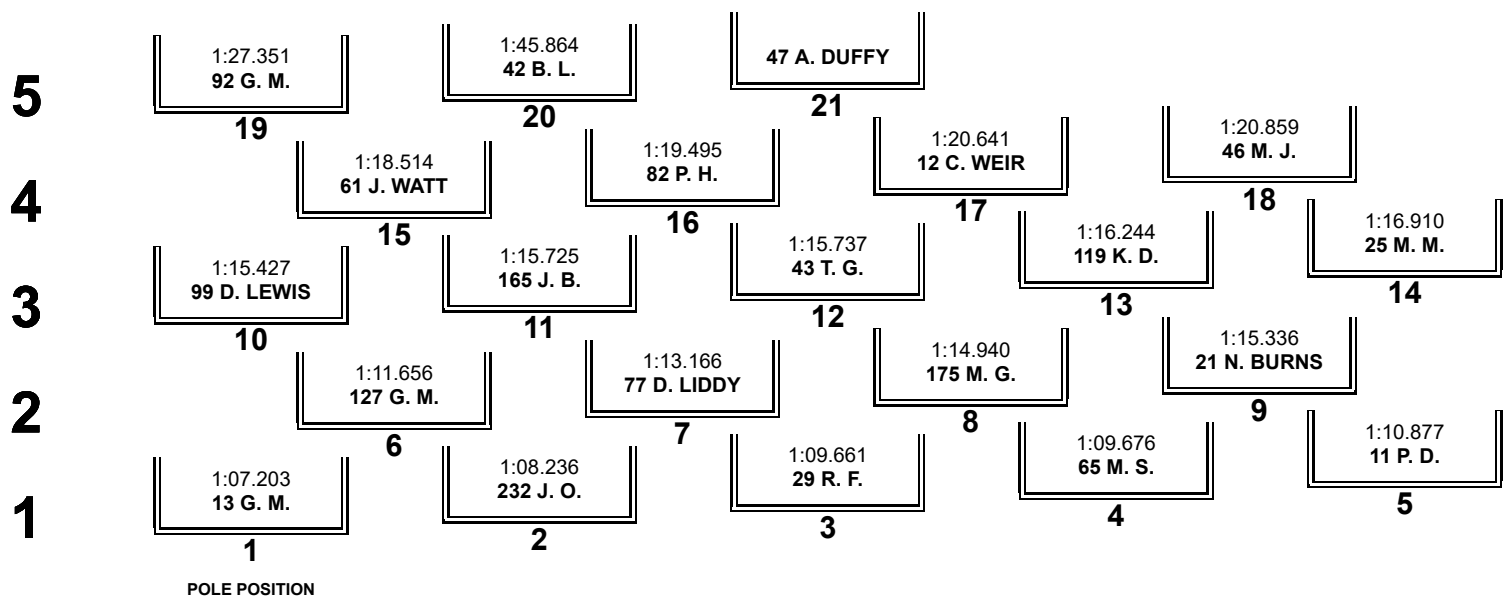
USBK R6 - Bishopscourt Intermediate

SUPERTWIN / PRODUCTION TWIN / SUPERMONO Bishopscourt Intermediate 1.479 miles

R1: Race One

02/10/2021 11:15

Race (9 Laps)



Promoted by Mid-Antrim 150 Motorcycle Club

Orbits

Provisional result to be confirmed by the Stewards of the Meeting subject to the completion of technical inspections and the time limit for protests
MCUI (Ulster Centre) Timing @ www.elaps-timing.com



Printed: 02/10/2021 10:02:15



USBK R6 - Bishopscourt Intermediate

Sorted on Laps

SUPERTWIN / PRODUCTION TWIN / SUPERMONO Bishopscourt Intermediate 1.479 miles

R1: Race One

02/10/2021 11:15

Race (9 Laps) started at 12:48:51

Pos	Class	No.	Name	T	Machine	Sponsor	Laps	Total Tm	Diff	Gap	Avg. Speed	Best Tm	Best Speed	In Lap
PTWN														
1	PTWN	127	Gareth MORRELL		Suzuki		9	9:48.272			81.458	1:03.738	83.536	9
2	PTWN	11	Paul DEMAINE jnr		Kawasaki	Antrim Rain	9	9:48.970	0.698	0.698	81.362	1:03.614	83.699	9
3	PTWN	43	Tom GREENWOOD		Kawasaki	Madbros	9	9:49.487	1.215	0.517	81.290	1:04.392	82.687	8
4	PTWN	99	Duane LEWIS		Suzuki		9	10:07.427	19.155	17.940	78.889	1:05.969	80.711	3
5	PTWN	21	Nicholas BURNS		Kawasaki	Sawdust & Splinters	9	10:26.143	37.871	18.716	76.531	1:07.909	78.405	8
6	PTWN	92	Graham McALEESE		Suzuki		9	10:26.433	38.161	0.290	76.496	1:05.970	80.709	9
Not classified														
DNF	PTWN	25	Michael MCKERNAN		Suzuki		3	3:33.841	DNF		74.697	1:07.882	78.436	2
DNF	PTWN	47	Alan DUFFY		Suzuki		2	2:57.424	DNF		60.019	1:21.809	65.083	1
DNS	PTWN	82	Paul HANRATTY		Suzuki			0.000	DNS		-	-	-	0
STWN														
1	STWN	232	Jack OLIVER		Kawasaki	McKinstry Racing	9	9:31.944			83.784	1:01.672	86.334	2
2	STWN	65	Michael SWEENEY		Kawasaki	KBS	9	9:42.313	10.369	10.369	82.292	1:02.256	85.524	3
3	STWN	29	Ryan FENTON		Suzuki	Trison McMullan Racing	9	9:46.324	14.380	4.011	81.729	1:03.639	83.666	3
4	STWN	165	Jamie BORELAND		Kawasaki	CD Racing	9	9:57.294	25.350	10.970	80.228	1:04.644	82.365	9
5	STWN	175	Michael GAHAN		Kawasaki		9	9:58.181	26.237	0.887	80.109	1:04.229	82.897	5
6	STWN	119	Kris DUNCAN		Kawasaki	Turriff Caravan Centre	9	10:05.740	33.796	7.559	79.109	1:04.338	82.757	9
7	STWN	19	Jonathan WATT		Kawasaki	Woolsey Concrete	9	10:06.174	34.230	0.434	79.053	1:05.993	80.681	4
8	STWN	77	Dave LIDDY		Suzuki	Rachel's DFR	9	10:08.138	36.194	1.964	78.797	1:06.066	80.592	3
9	STWN	46	Mark JOHNSON		Kawasaki	MJ Racing	9	10:08.616	36.672	0.478	78.735	1:05.317	81.516	7
10	STWN	42	Brian LOUGHLIN		Kawasaki	G2-Tech	8	9:46.289	1 Lap	1 Lap	72.652	1:11.231	74.748	7
Not classified														
DNF	STWN	13	Gary McCOY		Kawasaki	KMR Kawasaki	3	3:01.610	DNF		87.953	58.486	91.037	3
DNF	STWN	12	Chris WEIR		Suzuki		2	2:39.329	DNF		66.835	1:17.522	68.682	1

Announcements

New Track Record (58.486) for STWN by Gary McCOY.
 Weather: Cloudy / Track: Dry
 STWN 90% = 75.406, PTWN 90% = 73.312

Margin of Victory	Avg. Speed	Best Lap Tm	Best Speed	Best Lap by
10.369	83.784	58.486	91.037	13 - Gary McCOY

Promoted by Mid-Antrim 150 Motorcycle Club

Orbits

Provisional result to be confirmed by the Stewards of the Meeting subject to the completion of technical inspections and the time limit for protests
 MCU (Ulster Centre) Timing @ www.elaps-timing.com



Printed: 02/10/2021 13:00:15



USBK R6 - Bishopscourt Intermediate

SUPERTWIN / PRODUCTION TWIN / SUPERMONO Bishopscourt Intermediate 1.479 miles

R1: Race One

02/10/2021 11:15

Race (9 Laps) started at 12:48:51

(232) Jack OLIVER			4	1:05.354	+1.740	9	1:04.338		3	1:08.176	+0.267
1	1:07.256	+5.584	5	1:05.246	+1.632	(19) Jonathan WATT			4	1:10.294	+2.385
2	1:01.672		6	1:05.199	+1.585	1	1:13.248	+7.255	5	1:09.464	+1.555
3	1:02.036	+0.364	7	1:03.970	+0.356	2	1:06.329	+0.336	6	1:08.439	+0.530
4	1:02.113	+0.441	8	1:04.373	+0.759	3	1:06.446	+0.453	7	1:08.330	+0.421
5	1:03.248	+1.576	9	1:03.614		4	1:05.993		8	1:07.909	
6	1:03.159	+1.487	(43) Tom GREENWOOD			5	1:06.873	+0.880	9	1:07.988	+0.079
7	1:03.832	+2.160	1	1:12.277	+7.885	6	1:07.137	+1.144	(92) Graham McALEESE		
8	1:03.488	+1.816	2	1:05.098	+0.706	7	1:06.930	+0.937	1	1:18.074	+12.104
9	1:05.140	+3.468	3	1:04.757	+0.365	8	1:06.741	+0.748	2	1:12.073	+6.103
(65) Michael SWEENEY			4	1:04.478	+0.086	9	1:06.477	+0.484	3	1:08.900	+2.930
1	1:08.837	+6.581	5	1:04.969	+0.577	(99) Duane LEWIS			4	1:09.158	+3.188
2	1:03.454	+1.198	6	1:04.466	+0.074	1	1:14.220	+8.251	5	1:09.232	+3.262
3	1:02.256		7	1:04.604	+0.212	2	1:06.916	+0.947	6	1:08.624	+2.654
4	1:03.350	+1.094	8	1:04.392		3	1:05.969		7	1:07.399	+1.429
5	1:04.787	+2.531	9	1:04.446	+0.054	4	1:07.096	+1.127	8	1:07.003	+1.033
6	1:04.265	+2.009	(165) Jamie BORELAND			5	1:07.503	+1.534	9	1:05.970	
7	1:04.695	+2.439	1	1:14.714	+10.070	6	1:06.662	+0.693	(42) Brian LOUGHLIN		
8	1:04.667	+2.411	2	1:04.883	+0.239	7	1:06.585	+0.616	1	1:19.667	+8.436
9	1:06.002	+3.746	3	1:04.924	+0.280	8	1:06.125	+0.156	2	1:12.501	+1.270
(29) Ryan FENTON			4	1:05.339	+0.695	9	1:06.351	+0.382	3	1:12.311	+1.080
1	1:07.215	+3.576	5	1:05.035	+0.391	(77) Dave LIDDY			4	1:14.227	+2.996
2	1:09.455	+5.816	6	1:04.957	+0.313	1	1:14.956	+8.890	5	1:12.560	+1.329
3	1:03.639		7	1:06.372	+1.728	2	1:06.683	+0.617	6	1:11.460	+0.229
4	1:04.538	+0.899	8	1:06.426	+1.782	3	1:06.066		7	1:11.231	
5	1:04.396	+0.757	9	1:04.644		4	1:06.825	+0.759	8	1:12.332	+1.101
6	1:04.425	+0.786	(175) Michael GAHAN			5	1:07.774	+1.708	(13) Gary McCOY		
7	1:03.817	+0.178	1	1:11.457	+7.228	6	1:06.797	+0.731	1	1:04.315	+5.829
8	1:04.051	+0.412	2	1:07.797	+3.568	7	1:06.154	+0.088	2	58.809	+0.323
9	1:04.788	+1.149	3	1:06.540	+2.311	8	1:06.252	+0.186	3	58.486	
(127) Gareth MORRELL			4	1:05.310	+1.081	9	1:06.631	+0.565	(25) Michael McKERNAN		
1	1:11.806	+8.068	5	1:04.229		(46) Mark JOHNSON			1	1:18.060	+10.178
2	1:05.873	+2.135	6	1:04.316	+0.087	1	1:16.699	+11.382	2	1:07.882	
3	1:04.934	+1.196	7	1:06.440	+2.211	2	1:08.724	+3.407	3	1:07.899	+0.017
4	1:04.618	+0.880	8	1:06.948	+2.719	3	1:06.684	+1.367	(12) Chris WEIR		
5	1:04.627	+0.889	9	1:05.144	+0.915	4	1:06.553	+1.236	1	1:17.522	
6	1:04.261	+0.523	(119) Kris DUNCAN			5	1:06.178	+0.861	2	1:21.807	+4.285
7	1:04.178	+0.440	1	1:16.455	+12.117	6	1:05.458	+0.141	(47) Alan DUFFY		
8	1:04.237	+0.499	2	1:09.174	+4.836	7	1:05.317		1	1:21.809	
9	1:03.738		3	1:07.998	+3.660	8	1:06.755	+1.438	2	1:35.615	+13.806
(11) Paul DEMAINE_jnr			4	1:05.628	+1.290	9	1:06.248	+0.931	(21) Nicholas BURNS		
1	1:10.139	+6.525	5	1:05.873	+1.535	(21) Nicholas BURNS			1	1:16.052	+8.143
2	1:05.457	+1.843	6	1:05.443	+1.105	1	1:16.052	+8.143	2	1:09.491	+1.582
3	1:05.618	+2.004	7	1:05.115	+0.777	2	1:09.491	+1.582			
			8	1:05.716	+1.378						

Promoted by Mid-Antrim 150 Motorcycle Club

Orbits

Provisional result to be confirmed by the Stewards of the Meeting subject to the completion of technical inspections and the time limit for protests
MCUI (Ulster Centre) Timing @ www.elaps-timing.com



Printed: 02/10/2021 13:01:16



USBK R6 - Bishopscourt Intermediate

Sorted on Laps

SUPERTWIN / PRODUCTION TWIN / SUPERMONO Bishopscourt Intermediate 1.479 miles

R10: Race Two

02/10/2021 14:48

Race (9 Laps) started at 15:05:21

Pos	Class	No.	Name	T	Machine	Sponsor	Laps	Total Tm	Diff	Gap	Avg. Speed	Best Tm	Best Speed	In Lap
PTWN														
1	PTWN	11	Paul DEMAINE jnr		Kawasaki	Antrim Rain	9	9:25.807			84.692	1:01.880	86.044	8
2	PTWN	127	Gareth MORRELL		Suzuki		9	9:29.257	3.450	3.450	84.179	1:02.041	85.821	7
3	PTWN	21	Nicholas BURNS		Kawasaki	Sawdust & Splinters	9	9:49.803	23.996	20.546	81.247	1:04.228	82.898	7
4	PTWN	99	Duane LEWIS		Suzuki		9	9:50.140	24.333	0.337	81.200	1:04.162	82.984	6
Not classified														
DNF	PTWN	92	Graham McALEESE		Suzuki		5	5:37.917	DNF		78.783	1:04.961	81.963	3
DNF	PTWN	43	Tom GREENWOOD		Kawasaki	Madbros	3	3:22.049	DNF		79.056	1:04.447	82.617	3
DNS	PTWN	25	Michael MCKERNAN		Suzuki			0.000	DNS		-	-	-	0
DNS	PTWN	82	Paul HANRATTY		Suzuki			0.000	DNS		-	-	-	0
DNS	PTWN	47	Alan DUFFY		Suzuki			0.000	DNS		-	-	-	0
STWN														
1	STWN	13	Gary McCOY		Kawasaki	KMR Kawasaki	9	8:56.843			89.262	57.818	92.089	3
2	STWN	29	Ryan FENTON		Suzuki	Trison McMullan Racing	9	9:15.149	18.306	18.306	86.318	1:00.571	87.903	8
3	STWN	119	Kris DUNCAN		Kawasaki	Turrieff Caravan Centre	9	9:23.458	26.615	8.309	85.046	1:01.004	87.280	5
4	STWN	19	Jonathan WATT		Kawasaki	Woolsey Concrete	9	9:46.883	50.040	23.425	81.651	1:04.132	83.023	5
5	STWN	165	Jamie BORELAND		Kawasaki	CD Racing	9	9:47.021	50.178	0.138	81.632	1:03.826	83.421	3
6	STWN	77	Dave LIDDY		Suzuki	Rachel's DFR	9	9:47.764	50.921	0.743	81.529	1:04.111	83.050	9
7	STWN	46	Mark JOHNSON		Kawasaki	MJ Racing	9	9:49.204	52.361	1.440	81.329	1:03.519	83.824	8
8	STWN	175	Michael GAHAN		Kawasaki		9	9:49.237	52.394	0.033	81.325	1:03.517	83.826	6
9	STWN	42	Brian LOUGHLIN		Kawasaki	G2-Tech	8	9:18.366	1 Lap	1 Lap	76.285	1:08.462	77.772	7
Not classified														
DNF	STWN	232	Jack OLIVER		Kawasaki	McKinstry Racing	7	7:13.763	DNF		85.924	1:00.298	88.301	4
DNF	STWN	12	Chris WEIR		Suzuki		1	1:27.920	DNF		60.560	1:27.920	60.560	1
DNS	STWN	65	Michael SWEENEY		Kawasaki	KBS		0.000	DNS		-	-	-	0

Announcements

New Track Record (57.818) for STWN by Gary McCOY.
 Weather: Sunny / Track: Dry
 STWN 90% = 80.336, PTWN 90% = 76.223

Margin of Victory	Avg. Speed	Best Lap Tm	Best Speed	Best Lap by
18.306	89.262	57.818	92.089	13 - Gary McCOY

Promoted by Mid-Antrim 150 Motorcycle Club

Orbits

Provisional result to be confirmed by the Stewards of the Meeting subject to the completion of technical inspections and the time limit for protests
 MCU (Ulster Centre) Timing @ www.elaps-timing.com



Printed: 02/10/2021 15:16:11



USBK R6 - Bishopscourt Intermediate

SUPERTWIN / PRODUCTION TWIN / SUPERMONO Bishopscourt Intermediate 1.479 miles

R10: Race Two

02/10/2021 14:48

Race (9 Laps) started at 15:05:21

(13) Gary McCOY			4	1:02.678	+0.637	9	1:03.579	+0.060	4	1:00.298	
1	1:04.434	+6.616	5	1:02.176	+0.135	(175) Michael GAHAN			5	1:01.822	+1.524
2	59.421	+1.603	6	1:02.159	+0.118	1	1:11.219	+7.702	6	1:01.719	+1.421
3	57.818		7	1:02.041		2	1:05.374	+1.857	7	1:02.356	+2.058
4	58.920	+1.102	8	1:02.285	+0.244	3	1:04.482	+0.965	(92) Graham McALEESE		
5	59.244	+1.426	9	1:03.659	+1.618	4	1:07.849	+4.332	1	1:14.439	+9.478
6	59.198	+1.380	(19) Jonathan WATT			5	1:05.020	+1.503	2	1:05.371	+0.410
7	1:00.363	+2.545	1	1:11.448	+7.316	6	1:03.517		3	1:04.961	
8	58.454	+0.636	2	1:05.653	+1.521	7	1:03.904	+0.387	4	1:06.645	+1.684
9	58.991	+1.173	3	1:04.172	+0.040	8	1:03.726	+0.209	5	1:06.501	+1.540
(29) Ryan FENTON			4	1:04.178	+0.046	9	1:04.146	+0.629	(43) Tom GREENWOOD		
1	1:05.696	+5.125	5	1:04.132		(21) Nicholas BURNS			1	1:12.805	+8.358
2	1:01.073	+0.502	6	1:04.615	+0.483	1	1:12.933	+8.705	2	1:04.797	+0.350
3	1:01.183	+0.612	7	1:04.185	+0.053	2	1:05.322	+1.094	3	1:04.447	
4	1:01.036	+0.465	8	1:04.198	+0.066	3	1:04.255	+0.027	(12) Chris WEIR		
5	1:01.431	+0.860	9	1:04.302	+0.170	4	1:05.473	+1.245	1	1:27.920	
6	1:00.942	+0.371	(165) Jamie BORELAND			5	1:04.436	+0.208			
7	1:00.592	+0.021	1	1:10.235	+6.409	6	1:04.294	+0.066			
8	1:00.571		2	1:04.469	+0.643	7	1:04.228				
9	1:02.625	+2.054	3	1:03.826		8	1:04.496	+0.268			
(119) Kris DUNCAN			4	1:05.375	+1.549	9	1:04.366	+0.138			
1	1:11.058	+10.054	5	1:05.482	+1.656	(99) Duane LEWIS					
2	1:03.063	+2.059	6	1:04.753	+0.927	1	1:12.087	+7.925			
3	1:01.565	+0.561	7	1:04.450	+0.624	2	1:04.881	+0.719			
4	1:01.426	+0.422	8	1:04.248	+0.422	3	1:04.932	+0.770			
5	1:01.004		9	1:04.183	+0.357	4	1:05.827	+1.665			
6	1:01.326	+0.322	(77) Dave LIDDY			5	1:05.056	+0.894			
7	1:01.433	+0.429	1	1:10.825	+6.714	6	1:04.162				
8	1:01.159	+0.155	2	1:04.660	+0.549	7	1:04.166	+0.004			
9	1:01.424	+0.420	3	1:05.143	+1.032	8	1:04.459	+0.297			
(11) Paul DEMAINE jnr			4	1:04.910	+0.799	9	1:04.570	+0.408			
1	1:07.711	+5.831	5	1:04.794	+0.683	(42) Brian LOUGHLIN					
2	1:03.180	+1.300	6	1:04.776	+0.665	1	1:17.667	+9.205			
3	1:02.393	+0.513	7	1:04.322	+0.211	2	1:09.177	+0.715			
4	1:02.335	+0.455	8	1:04.223	+0.112	3	1:08.674	+0.212			
5	1:02.187	+0.307	9	1:04.111		4	1:08.588	+0.126			
6	1:02.071	+0.191	(46) Mark JOHNSON			5	1:08.849	+0.387			
7	1:02.138	+0.258	1	1:12.423	+8.904	6	1:08.469	+0.007			
8	1:01.880		2	1:05.859	+2.340	7	1:08.462				
9	1:01.912	+0.032	3	1:04.582	+1.063	8	1:08.480	+0.018			
(127) Gareth MORRELL			4	1:05.405	+1.886	(232) Jack OLIVER					
1	1:08.900	+6.859	5	1:04.958	+1.439	1	1:06.058	+5.760			
2	1:02.965	+0.924	6	1:04.532	+1.013	2	1:01.048	+0.750			
3	1:02.394	+0.353	7	1:04.347	+0.828	3	1:00.462	+0.164			
			8	1:03.519							

Promoted by Mid-Antrim 150 Motorcycle Club

Orbits

Provisional result to be confirmed by the Stewards of the Meeting subject to the completion of technical inspections and the time limit for protests
MCUI (Ulster Centre) Timing @ www.elaps-timing.com



Printed: 02/10/2021 15:17:02

USBK - SUPERTWIN

2021

Pos	No.	Name	Total	Dif	Gap	#1		#2			#3		#4		#5		#6	
						R1	R2	R1	R2	R3	R1	R2	R1	R2	R1	R2	R1	R2
1	65	Michael SWEENEY	171	0	0	16	20	20	25	25	x	x	x	x	20	25	20	x
2	165	Jamie BORELAND	139	32	32	x	11	9	11	11	20	20	13	x	10	10	13	11
3	64	Kevin LAVERY	111	60	28	13	16	16	x	x	25	25	16	x	x	x	x	x
4	46	Mark JOHNSON	102	69	9	6	7	7	9	9	10	10	11	x	9	8	7	9
5	29	Ryan FENTON	93	78	9	x	x	x	x	x	x	x	25	x	16	16	16	20
6	77	Dave LIDDY	92	79	1	8	x	8	10	10	11	x	10	x	8	9	8	10
7	59	Darryl TWEED	85	86	7	20	x	x	x	x	x	x	20	x	25	20	x	x
8	13	Gary McCOY	75	96	10	x	x	10	20	20	x	x	x	x	x	x	x	25
9	12	Chris WEIR	70	101	5	10	9	x	x	x	13	16	8	x	7	7	x	x
10	38	Gareth MILLER	51	120	19	x	x	4	6	6	16	13	x	x	x	6	x	x
11	42	Brian LOUGHLIN	51	120	0	9	8	5	8	8	x	x	x	x	x	x	6	7
12	99	Jeremy McWILLIAMS	50	121	1	25	25	x	x	x	x	x	x	x	x	x	x	x
13	232	Jack OLIVER	47	124	3	x	x	x	x	x	x	x	x	x	11	11	25	x
14	91	Dave BUTLER	45	126	2	x	x	13	16	16	x	x	x	x	x	x	x	x
15	5	R J WOOLSEY	43	128	2	7	10	6	7	7	x	x	6	x	x	x	x	x
16	52	Thomas BYRNE	40	131	3	x	x	x	5	5	9	11	5	x	x	5	x	x
17	8	Darryl ANDERSON	37	134	3	x	x	11	13	13	x	x	x	x	x	x	x	x
18	119	Kris DUNCAN	35	136	2	x	x	x	x	x	x	x	9	x	x	x	10	16
19	75	Barry SHEEHAN	26	145	9	x	x	x	x	x	x	x	x	x	13	13	x	x
20	56	Adam McLEAN	25	146	1	x	x	25	x	x	x	x	x	x	x	x	x	x
21	93	Paul CRANSTON	24	147	1	11	13	x	x	x	x	x	x	x	x	x	x	x
22	19	Jonathan WATT	22	149	2	x	x	x	x	x	x	x	x	x	x	x	9	13
23	175	Michael GAHAN	19	152	3	x	x	x	x	x	x	x	x	x	x	x	11	8
24	142	Adrian HERATY	7	164	12	x	x	x	x	x	x	x	7	x	x	x	x	x

Event Legend

#1	10/07/2021	USBK R1 - Kirkistown	#4	04/09/2021	USBK R4 - Kirkistown
#2	17/07/2021	USBK R2 - Bishops court National	#5	18/09/2021	USBK R5 - Bishops court National
#3	07/08/2021	USBK R3 - Bishops court National	#6	02/10/2021	USBK R6 - Bishops court Intermediate

USBK - PRODUCTION TWIN

2021

Pos	No.	Name	Total	Diff	Gap	#1		#2			#3		#4		#5		#6	
						R1	R2	R1	R2	R3	R1	R2	R1	R2	R1	R2	R1	R2
1	1	Mark ABRAHAM	235	0	0	25	25	20	25	20	20	25	x	25	25	x	x	
2	11	Paul DEMAINE jnr	193	42	42	x	20	11	10	11	16	20	20	x	20	20	20	25
3	127	Gareth MORRELL	161	74	32	16	13	16	13	16	x	x	16	x	13	13	25	20
4	21	Nicholas BURNS	111	124	50	9	8	10	9	8	10	x	10	x	10	10	11	16
5	29	Ryan FENTON	95	140	16	x	x	25	20	25	25	x	x	x	x	x	x	x
6	42	Ryan CUMMINGS	93	142	2	11	9	8	11	10	x	16	6	x	11	11	x	x
7	99	Duane LEWIS	86	149	7	13	11	9	x	x	x	x	9	x	9	9	13	13
8	25	Michael McKERNAN	81	154	5	10	10	7	x	9	7	11	11	x	8	8	x	x
9	40	Darragh CREAM	78	157	3	20	16	13	16	13	x	x	x	x	x	x	x	x
10	43	Tom GREENWOOD	74	161	4	x	x	x	x	x	13	x	13	x	16	16	16	x
11	90	Andrew WRIGHT	55	180	19	x	x	6	8	7	8	10	4	x	5	7	x	x
12	82	Paul HANRATTY	43	192	12	8	7	4	7	4	x	x	3	x	4	6	x	x
13	47	Alan DUFFY	28	207	15	x	x	x	6	5	6	9	2	x	x	x	x	x
14	124	Calum OBRIEN	23	212	5	x	x	3	5	3	5	7	x	x	x	x	x	x
15	14	David DUFFY	22	213	1	x	x	x	x	x	9	13	x	x	x	x	x	x
16	57	Craig SCOLLAN	18	217	4	x	6	x	x	x	4	8	x	x	x	x	x	x
17	32	Simon OVEREND	12	223	6	x	x	x	x	x	x	x	5	x	7	x	x	x
18	10	Brandon KAVANAGH	11	224	1	x	x	x	x	x	11	x	x	x	x	x	x	x
19	62	Graeme SMALLWOODS	11	224	0	x	x	5	x	6	x	x	x	x	x	x	x	x
20	92	Graham McALEESE	10	225	1	x	x	x	x	x	x	x	x	x	x	x	10	x
21	54	Johnny McCAY	8	227	2	x	x	x	x	x	x	x	8	x	x	x	x	x
22	282	Adam McCLINTOCK	8	227	0	x	x	2	4	2	x	x	x	x	x	x	x	x
23	96	Luke DEEGAN	7	228	1	x	x	x	x	x	x	x	7	x	x	x	x	x
24	28	Micheal CALLAN	6	229	1	x	x	x	x	x	x	x	x	x	6	x	x	x
25	97	Sean McPHILLIPS	3	232	3	x	x	x	x	x	x	x	x	x	3	x	x	x
26	232	James DOY	1	234	2	x	x	x	x	x	x	x	1	x	x	x	x	x

Event Legend

#1	10/07/2021	USBK R1 - Kirkistown	#4	04/09/2021	USBK R4 - Kirkistown
#2	17/07/2021	USBK R2 - Bishops court National	#5	18/09/2021	USBK R5 - Bishops court National
#3	07/08/2021	USBK R3 - Bishops court National	#6	02/10/2021	USBK R6 - Bishops court Intermediate