



*Irish Superbike Championship*

**Neil Robinson Memorial Races  
at Bishopscourt  
Saturday 8<sup>th</sup> & Sunday 9<sup>th</sup> July 2017**

**promoted by  
Mid Antrim 150 Club  
[www.midantrim150.co.uk](http://www.midantrim150.co.uk)**

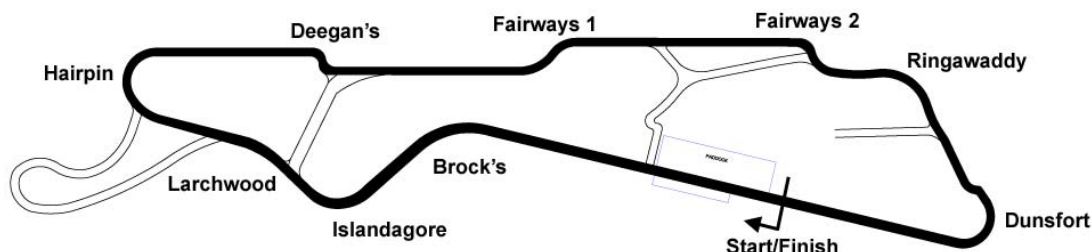
**A1 ELECTRICS  
SUPERSPORT CUP with  
&  
SUPERBIKE CUP  
&**



**FORMULA ONE ERA SUPEBIKE**



# Bishopscourt National Circuit 1.824 miles



## LAP RECORDS

Class	Rider	Machine	m	s	mph	Date
Young Guns Challenge	Aaron Clifford	Aprilia 125	1	22.864	79.243	20-07-13
Junior Cup	Sam Laffins	Kawasaki 300	1	21.815	80.259	21-10-16
125cc GP	Nigel Percy	Honda	1	13.913	88.840	21-10-07
Moto 3	Richard Kerr	KTM 250	1	13.640	89.169	22-10-16
250cc GP	Mark Hanna	Honda	1	11.963	91.247	16-10-10
Lightweight Supersport	Kirk Dickey	Kawasaki 400	1	15.427	87.056	18-04-15
Production Twin	Eunan McGlinchey	Suzuki 650	1	14.020	88.711	20-05-17
SuperTwin	Glenn Irwin	Kawasaki 650	1	11.293	92.104	25-10-14
Pre-Injection	Steven Titterington	Yamaha 600	1	11.917	91.305	19-09-15
Supersport	Glenn Irwin	Kawasaki	1	07.474	97.317	25-10-14
Supersport Cup	Korie McGreevy	Triumph 675	1	10.281	93.431	25-10-14
Superbike	Christian Iddon	BMW	1	05.223	100.676	22-10-16
Superbike Cup	Richard Rea	Honda	1	10.095	93.679	13-06-09
Formula One Era Superbike	Chris Campbell	Kawasaki 750	1	12.112	91.058	17-09-16
Sidecar	Tim Reeves	LCR Kawasaki	1	10.032	93.763	25-10-14
	Lee Watson					
Classic 250cc	Brian Mateer	Suzuki	1	27.365	75.161	15-04-17
Classic 350cc	James Conroy	Honda	1	23.114	79.005	15-04-17
Classic 500cc	Alex Conroy	Honda	1	24.275	77.916	19-04-14
Classic 1000cc	Brian Rapple	Weslake 850	1	24.839	77.398	23-08-08
Forgotten Era 250cc	Barry Davidson	Yamaha	1	18.628	83.512	15-04-17
Forgotten Era 350cc	Stanley Gamble	Yamaha	1	18.821	83.308	22-09-12



# NEIL ROBINSON MEMORIAL RACES

## IRISH CHAMPIONSHIP R7 - Bishopscourt Nat

Sorted on best lap time

### SUPERSPORT CUP

Bishopscourt National 1.824 miles

### Cup Qualifying

08/07/2017 09:36

Practice started at 10:09:43

Pos	Class	No.	Name	T	Make	Sponsor	Best Tm	Diff	Gap	Best Speed	In Lap	Laps	2nd Best
1	ISScup	221	Eunan McGLINCHEY		Suzuki		1:12.009			91.189	7	8	1:12.551
2	ISScup	70	Kia McGREEVY		Honda	McLaughlin Racing	1:12.990	0.981	0.981	89.963	4	8	1:13.583
3	ISScup	27	Stephen MONTGOMERY		Yamaha	SM Electrical	1:14.642	2.633	1.652	87.972	6	8	1:14.830
4	ISScup	40	Jaimie REA		Triumph 675	Rea Racing	1:14.760	2.751	0.118	87.833	6	8	1:16.761
5	ISScup	50	Kyle CROSS		Yamaha		1:14.900	2.891	0.140	87.669	8	8	1:14.946
6	ISScup	58	Gary WINTERS		Yamaha		1:15.146	3.137	0.246	87.382	4	7	1:16.335
7	ISScup	121	Eoin COLLINS		Kawasaki	Collins Racing	1:16.195	4.186	1.049	86.179	4	7	1:16.358
8	ISScup	74	Dylan LEONARD		Yamaha		1:16.258	4.249	0.063	86.108	7	8	1:16.676
9	ISScup	20	Sam LYONS		Yamaha	Carryduff Forklift	1:16.439	4.430	0.181	85.904	5	8	1:17.150
10	ISScup	64	Daniel McCLEAN		Yamaha		1:16.725	4.716	0.286	85.584	4	7	1:17.267
11	ISScup	181	Andrew IRVINE		Suzuki	GSMCC	1:16.890	4.881	0.165	85.400	5	8	1:17.297
12	ISScup	167	Jack WARING		Yamaha		1:17.390	5.381	0.500	84.848	7	8	1:18.359
13	ISScup	12	Alan ARMSTRONG		Triumph 675		1:17.515	5.506	0.125	84.711	6	8	1:17.792
14	ISScup	160	Wayne NICHOLSON		Yamaha		1:18.228	6.219	0.713	83.939	7	7	1:18.282
15	ISScup	120	Gary WRIGHT		Suzuki		1:18.464	6.455	0.236	83.687	6	7	1:19.286
16	ISScup	76	Kyle WALSH		Yamaha		1:19.422	7.413	0.958	82.677	7	7	1:19.900
17	ISScup	30	Dave LIDDY		Yamaha	DFR	1:19.776	7.767	0.354	82.310	6	7	1:20.150
18	ISScup	185	Bryan MOORE		Triumph 675	Bob Wylie Racing	1:19.878	7.869	0.102	82.205	7	7	1:19.975
19	ISScup	131	Lee CHAMBERS		Yamaha		1:20.136	8.127	0.258	81.941	6	6	1:21.978
20	ISScup	151	Alan ELLIS		Suzuki		1:22.467	10.458	2.331	79.625	5	6	1:23.293
21	ISScup	164	Kevin LAVERY		Honda	Moria MRC	1:22.642	10.633	0.175	79.456	7	7	1:23.019
22	ISScup	142	Adrian HERATY		Yamaha		1:22.837	10.828	0.195	79.269	7	7	1:24.246
23	ISScup	46	Mark JOHNSON		Yamaha	MJ Racing	1:26.991	14.982	4.154	75.484	4	6	1:27.127
24	ISScup	145	Lee OSPREY		Kawasaki	DJR	3:46.189	2:34.180	:19.198	29.031	2	2	

### Announcements

Weather: Sunny / Track: Dry

Promoted by Mid-Antrim 150 Club

Orbits

Provisional result to be confirmed by the Stewards of the Meeting subject to the completion of technical inspections and the time limit for protests  
MCUI (Ulster Centre) Timing @ www.elaps-timing.com



Ride on  
Delta  
Seven





**2&4**  
WHEEL MOTORSPORT  
STEERING GROUP LTD.



MCUI (Ulster Centre) www.mcui-uc.org.uk



# NEIL ROBINSON MEMORIAL RACES

## IRISH CHAMPIONSHIP R7 - Bishopscourt Nat

**SUPERSPORT CUP**

**Bishopscourt National 1.824 miles**

**Cup Qualifying**

**08/07/2017 09:36**

**Practice started at 10:09:43**

7 **1:22.642**

(142) Adrian HERATY

1		
2	<b>1:25.898</b>	+3.061
3	<b>1:24.246</b>	+1.409
4	<b>1:27.353</b>	+4.516
5	<b>1:25.595</b>	+2.758
6	<b>1:24.703</b>	+1.866
7	<b>1:22.837</b>	

(46) Mark JOHNSON

1		
2	<b>1:29.245</b>	+2.254
3	<b>1:27.127</b>	+0.136
4	<b>1:26.991</b>	
5	<b>1:28.797</b>	+1.806
6	<b>1:29.147</b>	+2.156

(145) Lee OSPREY

1		
2	<b>3:46.189</b>	

Promoted by Mid-Antrim 150 Club

Provisional result to be confirmed by the Stewards of the Meeting subject to the completion of technical inspections and the time limit for protests  
MCUI (Ulster Centre) Timing @ www.elaps-timing.com



Orbits  
**Ride on  
Delta  
Seven**



# NEIL ROBINSON MEMORIAL RACES

## IRISH CHAMPIONSHIP R7 - Bishopscourt Nat

Sorted on best lap time

### SUPERBIKE CUP & F1 ERA SUPERBIKE

Bishopscourt National 1.824 miles

### Cup Qualifying

08/07/2017 10:00

Practice started at 10:37:46

Pos	Class	No.	Name	T	Make	Sponsor	Best Tm	Diff	Gap	Best Speed	In Lap	Laps	2nd Best
<b>F1era</b>													
1	F1era	1	Chris CAMPBELL		Kawasaki 750	Team Rash	1:13.233			89.664	8	8	1:13.640
2	F1era	17	Stephen MAGILL		Suzuki 1000	SM Autotune	1:19.116	5.883	5.883	82.997	5	7	1:19.655
3	F1era	66	Adam O'BOYLE		Kawasaki 750	R T & E Racing	1:21.103	7.870	1.987	80.964	3	7	1:21.355
4	F1era	118	Scott BELL		Kawasaki 750		1:27.055	13.822	5.952	75.428	7	7	1:28.380
<b>ISB</b>													
1	ISB	198	Benny SMITH		Yamaha	Smithform Construction	1:20.192			81.883	5	7	1:20.812
<b>ISBcup</b>													
1	ISBcup	37	John MATTHEWS		Honda		1:13.832			88.937	6	8	1:14.311
2	ISBcup	99	Ashley McLERNON		Kawasaki	McLernon Racing	1:15.005	1.173	1.173	87.546	4	8	1:15.089
3	ISBcup	20	Thomas McADOO		Honda		1:16.131	2.299	1.126	86.251	5	8	1:16.895
4	ISBcup	12	Paul DEMAINE		Suzuki	Antrim Rad	1:16.584	2.752	0.453	85.741	7	7	1:16.973
5	ISBcup	181	Andrew IRVINE		Suzuki	GSMCC	1:16.654	2.822	0.070	85.663	6	6	1:17.265
6	ISBcup	122	Steve WATSON		BMW		1:16.825	2.993	0.171	85.472	5	5	1:17.699
7	ISBcup	35	Gary McAVOY		Honda		1:17.168	3.336	0.343	85.092	6	8	1:17.563
8	ISBcup	108	Graeme SMALLWOODS		Honda		1:18.791	4.959	1.623	83.339	8	8	1:19.326
9	ISBcup	64	Matthew BYRNE		Suzuki 750		1:22.186	8.354	3.395	79.897	7	7	1:22.416

### Announcements

Weather: Sunny / Track: Dry

Promoted by Mid-Antrim 150 Club

Orbits

Provisional result to be confirmed by the Stewards of the Meeting subject to the completion of technical inspections and the time limit for protests  
MCUI (Ulster Centre) Timing @ www.elaps-timing.com



Ride on  
Delta  
Seven

Printed: 08/07/2017 11:05:54



# NEIL ROBINSON MEMORIAL RACES

## IRISH CHAMPIONSHIP R7 - Bishopscourt Nat

SUPERBIKE CUP & F1 ERA SUPERBIKE

Bishopscourt National 1.824 miles

Cup Qualifying

08/07/2017 10:00

Practice started at 10:37:46

<b>(1) Chris CAMPBELL</b>		
1		
2	<b>1:18.026</b>	+4.793
3	<b>1:14.990</b>	+1.757
4	<b>1:17.423</b>	+4.190
5	<b>1:13.640</b>	+0.407
6	<b>1:15.113</b>	+1.880
7	<b>1:15.306</b>	+2.073
8	<b>1:13.233</b>	
<b>(37) John MATTHEWS</b>		
1		
2	<b>1:16.318</b>	+2.486
3	<b>1:15.958</b>	+2.126
4	<b>1:14.311</b>	+0.479
5	<b>1:15.399</b>	+1.567
6	<b>1:13.832</b>	
7	<b>1:14.398</b>	+0.566
8	<b>1:15.789</b>	+1.957
<b>(99) Ashley McLERNON</b>		
1		
2	<b>1:17.108</b>	+2.103
3	<b>1:16.864</b>	+1.859
4	<b>1:15.005</b>	
5	<b>1:15.366</b>	+0.361
6	<b>1:15.362</b>	+0.357
7	<b>1:15.693</b>	+0.688
8	<b>1:15.089</b>	+0.084
<b>(20) Thomas McADOO</b>		
1		
2	<b>1:19.793</b>	+3.662
3	<b>1:19.722</b>	+3.591
4	<b>1:18.707</b>	+2.576
5	<b>1:16.131</b>	
6	<b>1:17.260</b>	+1.129
7	<b>1:18.714</b>	+2.583
8	<b>1:16.895</b>	+0.764
<b>(12) Paul DEMAINE</b>		
1		
2	<b>1:20.575</b>	+3.991
3	<b>1:18.031</b>	+1.447
4	<b>1:17.463</b>	+0.879
5	<b>1:17.459</b>	+0.875
6	<b>1:16.973</b>	+0.389
7	<b>1:16.584</b>	
<b>(181) Andrew IRVINE</b>		
1		
2	<b>1:19.439</b>	+2.785
3	<b>1:17.837</b>	+1.183
4	<b>1:17.265</b>	+0.611
5	<b>1:17.884</b>	+1.230
6	<b>1:16.654</b>	
<b>(122) Steve WATSON</b>		
1		
2	<b>5:07.149</b>	+3:50.324
3	<b>1:21.127</b>	+4.302
4	<b>1:17.699</b>	+0.874
5	<b>1:16.825</b>	
<b>(35) Gary McAVOY</b>		
1		
2	<b>1:22.221</b>	+5.053
3	<b>1:19.911</b>	+2.743
4	<b>1:18.363</b>	+1.195
5	<b>1:17.601</b>	+0.433
6	<b>1:17.168</b>	
7	<b>1:19.309</b>	+2.141
8	<b>1:17.563</b>	+0.395
<b>(108) Graeme SMALLWOODS</b>		
1		
2	<b>1:23.732</b>	+4.941
3	<b>1:21.631</b>	+2.840
4	<b>1:21.910</b>	+3.119
5	<b>1:19.326</b>	+0.535
6	<b>1:20.174</b>	+1.383
7	<b>1:20.024</b>	+1.233
8	<b>1:18.791</b>	
<b>(17) Stephen MAGILL</b>		
1		
2	<b>1:20.383</b>	+1.267
3	<b>1:20.456</b>	+1.340
4	<b>1:19.655</b>	+0.539
5	<b>1:19.116</b>	
6	<b>1:22.083</b>	+2.967
7	<b>1:21.367</b>	+2.251
<b>(198) Benny SMITH</b>		
1		
2	<b>1:23.188</b>	+2.996
3	<b>1:21.742</b>	+1.550
4	<b>1:20.874</b>	+0.682
5	<b>1:20.192</b>	
6	<b>1:20.955</b>	+0.763
7	<b>1:20.812</b>	+0.620
<b>(66) Adam O'BOYLE</b>		
1		
2	<b>1:21.909</b>	+0.806
3	<b>1:21.103</b>	
4	<b>1:21.890</b>	+0.787
5	<b>1:21.367</b>	+0.264
6	<b>1:22.124</b>	+1.021
7	<b>1:21.355</b>	+0.252
<b>(64) Matthew BYRNE</b>		
1		
2	<b>1:24.737</b>	+2.551
3	<b>1:23.508</b>	+1.322
4	<b>1:22.519</b>	+0.333
5	<b>1:22.416</b>	+0.230
6	<b>1:22.773</b>	+0.587
7	<b>1:22.186</b>	
<b>(118) Scott BELL</b>		
1		
2	<b>1:34.274</b>	+7.219
3	<b>1:31.213</b>	+4.158
4	<b>1:29.699</b>	+2.644
5	<b>1:29.274</b>	+2.219
6	<b>1:28.380</b>	+1.325
7	<b>1:27.055</b>	

Promoted by Mid-Antrim 150 Club

Orbits

Provisional result to be confirmed by the Stewards of the Meeting subject to the completion of technical inspections and the time limit for protests  
MCUI (Ulster Centre) Timing @ www.elaps-timing.com



Ride on Delta Seven



**2&4**  
WHEEL MOTORSPORT  
STEERING GROUP LTD.



MCUI (Ulster Centre) www.mcui-uc.org.uk



# NEIL ROBINSON MEMORIAL RACES

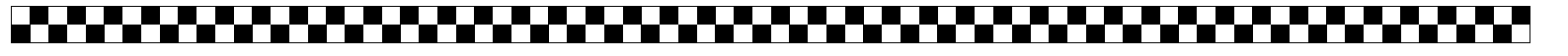
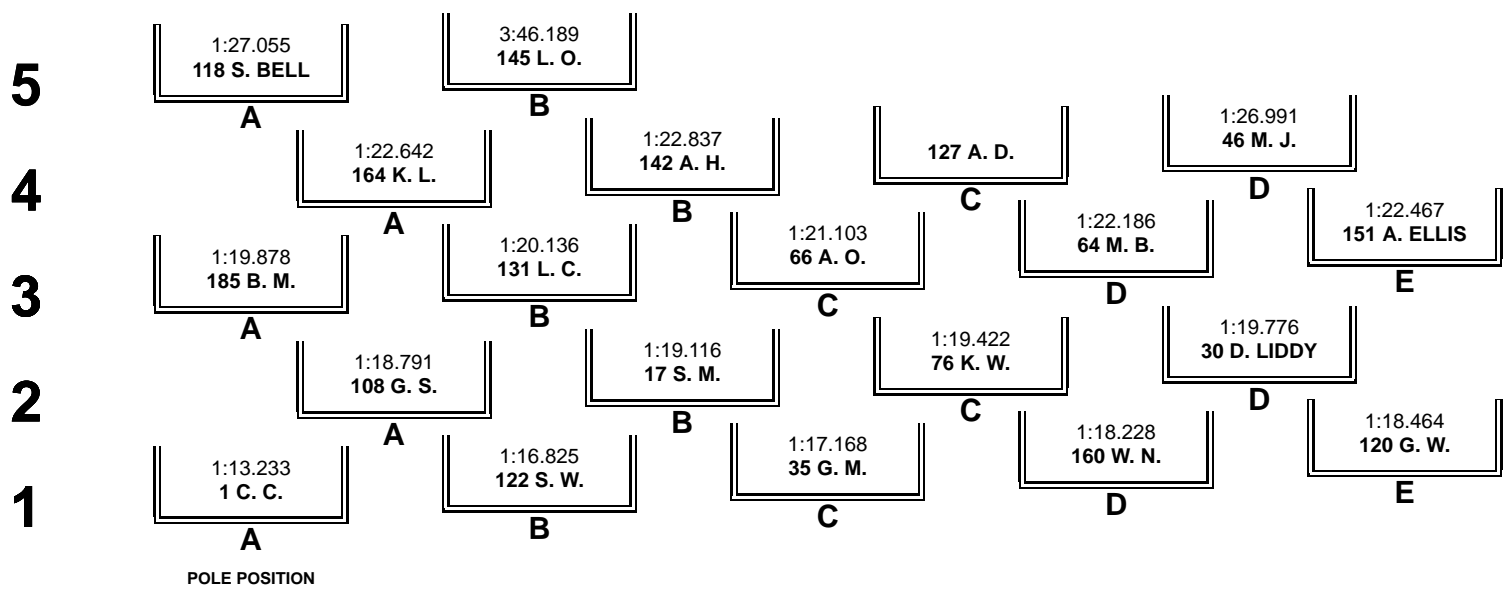
## IRISH CHAMPIONSHIP R7 - Bishopscourt Nat

SUPERSPORT/SUPERBIKE CUP & F1 ERA SUPERBIKE Bishopscourt National 1.824 miles

R5: A1 Electrics B Race One

08/07/2017 13:00

Race (7 Laps)



Promoted by Mid-Antrim 150 Club

Orbits

Provisional result to be confirmed by the Stewards of the Meeting subject to the completion of technical inspections and the time limit for protests  
MCUI (Ulster Centre) Timing @ www.elaps-timing.com

*R. Agnew*



**Ride on  
Delta  
Seven**





# NEIL ROBINSON MEMORIAL RACES

## IRISH CHAMPIONSHIP R7 - Bishopscourt Nat

Sorted on Laps

SUPERSPORT/SUPERBIKE CUP & F1 ERA SUPERBIKE Bishopscourt National 1.824 miles

R5: A1 Electrics B Race One

08/07/2017 13:00

Race (7 Laps) started at 13:52:10

Pos	Class	No.	Name	T	Make	Sponsor	Laps	Total Tm	Diff	Gap	Avg. Speed	Best Tm	Best Speed	In Lap
<b>F1era</b>														
1	F1era	1	Chris CAMPBELL		Kawasaki 750	Team Rash	7	8:49.099			86.874	1:13.095	89.834	6
2	F1era	17	Stephen MAGILL		Suzuki 1000	SM Autotune	7	9:31.723	42.624	42.624	80.397	1:18.420	83.734	5
3	F1era	66	Adam O'BOYLE		Kawasaki 750	R T & E Racing	7	9:36.935	47.836	5.212	79.671	1:20.489	81.581	3
4	F1era	118	Scott BELL		Kawasaki 750		7	10:15.178	1:26.079	38.243	74.718	1:25.431	76.862	6
<b>ISBcup</b>														
1	ISBcup	122	Steve WATSON		BMW		7	8:54.098			86.061	1:15.005	87.546	3
2	ISBcup	35	Gary McAVOY		Honda		7	9:05.727	11.629	11.629	84.227	1:16.469	85.870	6
3	ISBcup	108	Graeme SMALLWOODS		Honda		7	9:18.569	24.471	12.842	82.290	1:16.486	85.851	7
4	ISBcup	64	Matthew BYRNE		Suzuki 750		7	9:49.148	55.050	30.579	78.019	1:21.424	80.645	6
<b>ISScup</b>														
1	ISScup	120	Gary WRIGHT		Suzuki		7	9:17.850			82.396	1:17.826	84.373	7
2	ISScup	127	Andy DONALD		Kawasaki		7	9:18.161	0.311	0.311	82.350	1:17.630	84.586	7
3	ISScup	131	Lee CHAMBERS		Yamaha		7	9:20.204	2.354	2.043	82.050	1:17.500	84.728	5
4	ISScup	185	Bryan MOORE		Triumph 675	Bob Wylie Racing	7	9:21.451	3.601	1.247	81.868	1:17.583	84.637	4
5	ISScup	76	Kyle WALSH		Yamaha		7	9:21.931	4.081	0.480	81.798	1:17.390	84.848	7
6	ISScup	145	Lee OSPREY		Kawasaki	DJR	7	9:27.469	9.619	5.538	81.000	1:18.120	84.055	6
7	ISScup	30	Dave LIDDY		Yamaha	DFR	7	9:28.767	10.917	1.298	80.815	1:19.491	82.606	2
8	ISScup	164	Kevin LAVERY		Honda	Moria MRC	7	9:41.185	23.335	12.418	79.088	1:19.897	82.186	6
9	ISScup	142	Adrian HERATY		Yamaha		7	9:47.862	30.012	6.677	78.190	1:21.318	80.750	5
<b>Not classified</b>														
DNF	ISScup	151	Alan ELLIS		Suzuki		6	8:32.488	DNF		76.877	1:22.554	79.541	5
DNF	ISScup	46	Mark JOHNSON		Yamaha	MJ Racing	2	2:59.661	DNF		73.098	1:25.100	77.161	2
DNS	ISScup	160	Wayne NICHOLSON		Yamaha			0.000	DNS		-	-	-	0

### Announcements

F1era 90% = 78.187

Weather: Sunny / Track: Dry

Margin of Victory	Avg. Speed	Best Lap Tm	Best Speed	Best Lap by
4.999	86.874	1:13.095	89.834	1 - Chris CAMPBELL

Promoted by Mid-Antrim 150 Club

Orbits

Provisional result to be confirmed by the Stewards of the Meeting subject to the completion of technical inspections and the time limit for protests

MCUI (Ulster Centre) Timing @ www.elaps-timing.com



Ride on Delta Seven

Printed: 08/07/2017 14:05:48



# NEIL ROBINSON MEMORIAL RACES

## IRISH CHAMPIONSHIP R7 - Bishopscourt Nat

SUPERSPORT/SUPERBIKE CUP & F1 ERA SUPERBIKE Bishopscourt National 1.824 miles

R5: A1 Electrics B Race One

08/07/2017 13:00

Race (7 Laps) started at 13:52:10

<b>(1) Chris CAMPBELL</b>			3	1:19.539	+3.053	7	1:21.162	+1.671	2	1:27.357	+1.926
1	1:19.757	+6.662	4	1:16.789	+0.303	<b>(17) Stephen MAGILL</b>			3	1:28.098	+2.667
2	1:13.658	+0.563	5	1:17.799	+1.313	1	1:30.627	+12.207	4	1:26.526	+1.095
3	1:13.140	+0.045	6	1:16.928	+0.442	2	1:20.436	+2.016	5	1:25.531	+0.100
4	1:15.672	+2.577	7	1:16.486		3	1:21.103	+2.683	6	1:25.431	
5	1:14.977	+1.882	<b>(131) Lee CHAMBERS</b>			4	1:19.299	+0.879	7	1:26.370	+0.939
6	1:13.095		1	1:29.799	+12.299	5	1:18.420		<b>(151) Alan ELLIS</b>		
7	1:18.800	+5.705	2	1:19.031	+1.531	6	1:18.779	+0.359	1	1:33.227	+10.673
<b>(122) Steve WATSON</b>			3	1:19.092	+1.592	7	1:23.059	+4.639	2	1:22.921	+0.367
1	1:21.199	+6.194	4	1:18.495	+0.995	<b>(66) Adam O'BOYLE</b>			3	1:23.318	+0.764
2	1:15.190	+0.185	5	1:17.500		1	1:27.940	+7.451	4	1:22.842	+0.288
3	1:15.005		6	1:18.095	+0.595	2	1:22.336	+1.847	5	1:22.554	
4	1:15.137	+0.132	7	1:18.192	+0.692	3	1:20.489		6	1:27.626	+5.072
5	1:15.858	+0.853	<b>(185) Bryan MOORE</b>			4	1:20.662	+0.173	<b>(46) Mark JOHNSON</b>		
6	1:16.103	+1.098	1	1:28.693	+11.110	5	1:21.303	+0.814	1	1:34.561	+9.461
7	1:15.606	+0.601	2	1:19.638	+2.055	6	1:21.468	+0.979	2	1:25.100	
<b>(35) Gary McAVOY</b>			3	1:18.535	+0.952	7	1:22.737	+2.248	<b>(164) Kevin LAVERY</b>		
1	1:24.260	+7.791	4	1:17.583		1	1:33.784	+13.887	2	1:23.247	+3.350
2	1:17.221	+0.752	5	1:18.372	+0.789	2	1:23.247	+3.350	3	1:22.850	+2.953
3	1:17.357	+0.888	6	1:19.884	+2.301	3	1:22.850	+2.953	4	1:20.493	+0.596
4	1:17.184	+0.715	7	1:18.746	+1.163	4	1:20.493	+0.596	5	1:19.986	+0.089
5	1:16.685	+0.216	<b>(76) Kyle WALSH</b>			6	1:19.897		7	1:20.928	+1.031
6	1:16.469		1	1:30.297	+12.907	7	1:20.928	+1.031	<b>(142) Adrian HERATY</b>		
7	1:16.551	+0.082	2	1:20.519	+3.129	<b>(164) Kevin LAVERY</b>			1	1:33.067	+11.749
<b>(120) Gary WRIGHT</b>			3	1:20.449	+3.059	1	1:33.784	+13.887	2	1:23.905	+2.587
1	1:26.053	+8.227	4	1:17.575	+0.185	2	1:23.247	+3.350	3	1:23.609	+2.291
2	1:19.350	+1.524	5	1:17.921	+0.531	3	1:22.850	+2.953	4	1:23.146	+1.828
3	1:19.042	+1.216	6	1:17.780	+0.390	4	1:20.493	+0.596	5	1:19.986	+0.089
4	1:18.627	+0.801	7	1:17.390		6	1:19.897		7	1:20.928	+1.031
5	1:18.567	+0.741	<b>(145) Lee OSPREY</b>			7	1:20.928	+1.031	<b>(64) Matthew BYRNE</b>		
6	1:18.385	+0.559	1	1:31.182	+13.062	1	1:33.067	+11.749	1	1:34.864	+13.440
7	1:17.826		2	1:20.576	+2.456	2	1:23.905	+2.587	2	1:23.457	+2.033
<b>(127) Andy DONALD</b>			3	1:20.761	+2.641	3	1:22.850	+2.953	3	1:22.992	+1.568
1	1:26.395	+8.765	4	1:19.323	+1.203	4	1:23.609	+2.291	4	1:22.966	+1.542
2	1:19.344	+1.714	5	1:18.982	+0.862	5	1:23.146	+1.828	5	1:21.318	
3	1:19.288	+1.658	6	1:18.120		6	1:21.387	+0.069	6	1:21.387	+0.069
4	1:18.433	+0.803	7	1:18.525	+0.405	7	1:21.430	+0.112	7	1:21.430	+0.112
5	1:18.541	+0.911	<b>(145) Lee OSPREY</b>			<b>(142) Adrian HERATY</b>			<b>(64) Matthew BYRNE</b>		
6	1:18.530	+0.900	1	1:28.111	+8.620	1	1:33.067	+11.749	1	1:34.864	+13.440
7	1:17.830		2	1:19.491		2	1:23.905	+2.587	2	1:23.457	+2.033
<b>(108) Graeme SMALLWOODS</b>			3	1:20.267	+0.776	3	1:22.992	+1.568	3	1:22.992	+1.568
1	1:31.364	+14.878	4	1:19.547	+0.056	4	1:22.966	+1.542	4	1:22.966	+1.542
2	1:19.664	+3.178	5	1:20.311	+0.820	5	1:21.936	+0.512	5	1:21.936	+0.512
<b>(127) Andy DONALD</b>			6	1:19.878	+0.387	6	1:21.424		6	1:21.424	
1	1:26.395	+8.765	<b>(30) Dave LIDDY</b>			7	1:21.509	+0.085	7	1:21.509	+0.085
2	1:19.344	+1.714	1	1:28.111	+8.620	<b>(64) Matthew BYRNE</b>			<b>(118) Scott BELL</b>		
3	1:19.288	+1.658	2	1:19.491		1	1:34.864	+13.440	1	1:35.865	+10.434
4	1:18.433	+0.803	3	1:20.267	+0.776	2	1:23.457	+2.033	2	1:23.457	+2.033
5	1:18.541	+0.911	4	1:19.547	+0.056	3	1:22.992	+1.568	3	1:22.992	+1.568
6	1:18.530	+0.900	5	1:20.311	+0.820	4	1:22.966	+1.542	4	1:22.966	+1.542
7	1:17.830		6	1:19.878	+0.387	5	1:21.936	+0.512	5	1:21.936	+0.512
<b>(108) Graeme SMALLWOODS</b>			<b>(30) Dave LIDDY</b>			<b>(64) Matthew BYRNE</b>			<b>(118) Scott BELL</b>		
1	1:31.364	+14.878	1	1:28.111	+8.620	1	1:34.864	+13.440	1	1:35.865	+10.434
2	1:19.664	+3.178	2	1:19.491		2	1:23.457	+2.033	2	1:23.457	+2.033

Promoted by Mid-Antrim 150 Club

Orbits

Provisional result to be confirmed by the Stewards of the Meeting subject to the completion of technical inspections and the time limit for protests  
MCUI (Ulster Centre) Timing @ www.elaps-timing.com



Ride on Delta Seven

Printed: 08/07/2017 14:06:07



# NEIL ROBINSON MEMORIAL RACES

## IRISH CHAMPIONSHIP R7 - Bishopscourt Nat

Sorted on Laps

SUPERSPORT/SUPERBIKE CUP & F1 ERA SUPERBIKE Bishopscourt National 1.824 miles

R14: A1 Electrics B Race Two

08/07/2017 15:15

Race (7 Laps) started at 16:38:27

Pos	Class	No.	Name	T	Make	Sponsor	Laps	Total Tm	Diff	Gap	Avg. Speed	Best Tm	Best Speed	In Lap
<b>F1era</b>														
1	F1era	1	Chris CAMPBELL		Kawasaki 750	Team Rash	7	8:43.439			87.813	1:12.841	90.147	3
2	F1era	17	Stephen MAGILL		Suzuki 1000	SM Autotune	7	9:27.332	43.893	43.893	81.019	1:18.955	83.166	7
3	F1era	66	Adam O'BOYLE		Kawasaki 750	R T & E Racing	7	9:38.645	55.206	11.313	79.435	1:20.545	81.525	5
4	F1era	118	Scott BELL		Kawasaki 750		7	10:11.074	1:27.635	32.429	75.220	1:24.836	77.401	3
<b>ISBcup</b>														
1	ISBcup	122	Steve WATSON		BMW		7	8:48.545			86.965	1:14.303	88.373	3
2	ISBcup	35	Gary McAVOY		Honda		7	9:06.696	18.151	18.151	84.077	1:16.919	85.368	5
3	ISBcup	108	Graeme SMALLWOODS		Honda		7	9:16.026	27.481	9.330	82.667	1:16.143	86.238	6
4	ISBcup	64	Matthew BYRNE		Suzuki 750		7	9:54.344	1:05.799	38.318	77.337	1:22.461	79.630	6
<b>ISScup</b>														
1	ISScup	76	Kyle WALSH		Yamaha		7	9:11.822			83.296	1:16.422	85.923	7
2	ISScup	160	Wayne NICHOLSON		Yamaha		7	9:16.468	4.646	4.646	82.601	1:16.072	86.318	7
3	ISScup	131	Lee CHAMBERS		Yamaha		7	9:18.711	6.889	2.243	82.269	1:17.244	85.009	7
4	ISScup	145	Lee OSPREY		Kawasaki	DJR	7	9:22.368	10.546	3.657	81.734	1:18.135	84.039	7
5	ISScup	127	Andy DONALD		Kawasaki		7	9:22.638	10.816	0.270	81.695	1:17.936	84.254	7
6	ISScup	120	Gary WRIGHT		Suzuki		7	9:24.788	12.966	2.150	81.384	1:18.379	83.778	7
7	ISScup	164	Kevin LAVERY		Honda	Moria MRC	7	9:26.045	14.223	1.257	81.203	1:18.052	84.129	7
8	ISScup	185	Bryan MOORE		Triumph 675	Bob Wylie Racing	7	9:26.923	15.101	0.878	81.078	1:19.124	82.989	7
9	ISScup	30	Dave LIDDY		Yamaha	DFR	7	9:35.524	23.702	8.601	79.866	1:19.166	82.945	2
10	ISScup	142	Adrian HERATY		Yamaha		7	9:38.910	27.088	3.386	79.399	1:20.541	81.529	6
11	ISScup	151	Alan ELLIS		Suzuki		7	10:05.292	53.470	26.382	75.938	1:23.704	78.448	7
<b>Not classified</b>														
DNS	ISScup	46	Mark JOHNSON		Yamaha	MJ Racing		0.000	DNS	7 Laps	-	-	-	0

### Announcements

F1era 90% = 79.032

Weather: Sunny / Track: Dry

Margin of Victory	Avg. Speed	Best Lap Tm	Best Speed	Best Lap by
5.106	87.813	1:12.841	90.147	1 - Chris CAMPBELL

Promoted by Mid-Antrim 150 Club

Orbits

Provisional result to be confirmed by the Stewards of the Meeting subject to the completion of technical inspections and the time limit for protests

MCUI (Ulster Centre) Timing @ www.elaps-timing.com



Ride on Delta Seven

Printed: 08/07/2017 16:49:56



# NEIL ROBINSON MEMORIAL RACES

## IRISH CHAMPIONSHIP R7 - Bishopscourt Nat

SUPERSPORT/SUPERBIKE CUP & F1 ERA SUPERBIKE Bishopscourt National 1.824 miles

R14: A1 Electrics B Race Two

08/07/2017 15:15

Race (7 Laps) started at 16:38:27

Pos	Name	Time	Diff	Pos	Name	Time	Diff
(1)	Chris CAMPBELL	1:18.987	+6.146	7	[REDACTED]	1:18.052	
2	[REDACTED]	1:12.865	+0.024	2	[REDACTED]	1:24.308	+1.847
3	[REDACTED]	1:12.841		3	[REDACTED]	1:24.022	+1.561
4	[REDACTED]	1:13.547	+0.706	4	[REDACTED]	1:23.413	+0.952
5	[REDACTED]	1:14.846	+2.005	5	[REDACTED]	1:23.167	+0.706
6	[REDACTED]	1:14.785	+1.944	6	[REDACTED]	1:22.461	
7	[REDACTED]	1:15.568	+2.727	7	[REDACTED]	1:22.465	+0.004
(122)	Steve WATSON	1:20.183	+5.880	(185)	Bryan MOORE	1:26.876	+7.752
2	[REDACTED]	1:14.534	+0.231	1	[REDACTED]	1:20.159	+1.035
3	[REDACTED]	1:14.303		2	[REDACTED]	1:21.019	+1.895
4	[REDACTED]	1:14.683	+0.380	3	[REDACTED]	1:19.848	+0.724
5	[REDACTED]	1:14.393	+0.090	4	[REDACTED]	1:20.016	+0.892
6	[REDACTED]	1:15.011	+0.708	5	[REDACTED]	1:19.881	+0.757
7	[REDACTED]	1:15.438	+1.135	6	[REDACTED]	1:19.124	
(35)	Gary McAVOY	1:24.317	+7.398	(17)	Stephen MAGILL	1:29.537	+10.582
2	[REDACTED]	1:17.409	+0.490	1	[REDACTED]	1:19.536	+0.581
3	[REDACTED]	1:16.999	+0.080	2	[REDACTED]	1:19.941	+0.986
4	[REDACTED]	1:17.066	+0.147	3	[REDACTED]	1:19.043	+0.088
5	[REDACTED]	1:16.919		4	[REDACTED]	1:20.619	+1.664
6	[REDACTED]	1:17.044	+0.125	5	[REDACTED]	1:19.701	+0.746
7	[REDACTED]	1:16.942	+0.023	6	[REDACTED]	1:18.955	
(76)	Kyle WALSH	1:26.070	+9.648	(145)	Lee OSPREY	1:28.537	+10.402
2	[REDACTED]	1:19.974	+3.552	1	[REDACTED]	1:19.436	+1.301
3	[REDACTED]	1:19.653	+3.231	2	[REDACTED]	1:20.432	+2.297
4	[REDACTED]	1:16.630	+0.208	3	[REDACTED]	1:18.743	+0.608
5	[REDACTED]	1:16.540	+0.118	4	[REDACTED]	1:18.871	+0.736
6	[REDACTED]	1:16.533	+0.111	5	[REDACTED]	1:18.214	+0.079
7	[REDACTED]	1:16.422		6	[REDACTED]	1:18.135	
(108)	Graeme SMALLWOODS	1:28.028	+11.885	(127)	Andy DONALD	1:27.028	+9.092
2	[REDACTED]	1:19.785	+3.642	1	[REDACTED]	1:19.318	+1.382
3	[REDACTED]	1:18.760	+2.617	2	[REDACTED]	1:19.680	+1.744
4	[REDACTED]	1:18.955	+2.812	3	[REDACTED]	1:20.622	+2.686
5	[REDACTED]	1:18.029	+1.886	4	[REDACTED]	1:19.864	+1.928
6	[REDACTED]	1:16.143		5	[REDACTED]	1:18.190	+0.254
7	[REDACTED]	1:16.326	+0.183	6	[REDACTED]	1:17.936	
(160)	Wayne NICHOLSON	1:28.711	+12.639	(120)	Gary WRIGHT	1:25.911	+7.532
2	[REDACTED]	1:19.367	+3.295	1	[REDACTED]	1:20.005	+1.626
				2	[REDACTED]	1:19.640	+1.261
				3	[REDACTED]	1:20.948	+2.569
				4	[REDACTED]	1:20.826	+2.447
				5	[REDACTED]	1:19.079	+0.700
				6	[REDACTED]	1:18.379	
				7	[REDACTED]		
				(164)	Kevin LAVERY	1:30.955	+12.903
				1	[REDACTED]	1:21.006	+2.954
				2	[REDACTED]	1:19.432	+1.380
				3	[REDACTED]	1:19.532	+1.480
				4	[REDACTED]	1:18.360	+0.308
				5	[REDACTED]	1:18.708	+0.656
				6	[REDACTED]		
				(64)	Matthew BYRNE	1:34.508	+12.047
				1	[REDACTED]		

Promoted by Mid-Antrim 150 Club

Orbits

Provisional result to be confirmed by the Stewards of the Meeting subject to the completion of technical inspections and the time limit for protests  
MCUI (Ulster Centre) Timing @ www.elaps-timing.com



Ride on Delta Seven

**SHORT CIRCUIT - IRISH SUPERSPORT CUP with AVON TYRES**

2017

Pos	No.	Name	Total	Diff	Gap	#1		#2		#3			#4		#5		#6			#7	
						R1	R2	R1	R2	R1	R2	R3	R1	R2	R1	R2	R1	R2	R3	R1	R2
1	221	Eunan McGLINCHEY	310	0	0	x	x	25	25	20	20	25	20	25	25	25	25	25	x	25	25
2	40	Jaimie REA	141	169	169	6	5	13	20	x	x	x	13	16	16	16	9	x	11	16	x
3	39	Luke O'HIGGINS	140	170	1	x	x	x	x	5	13	16	x	8	13	20	20	20	25	x	x
4	27	Stephen MONTGOMERY	115	195	25	9	9	9	10	6	x	4	10	11	9	10	1	2	4	10	11
5	69	Caolan IRWIN	100	210	15	25	25	x	x	25	25	x	x	x	x	x	x	x	x	x	x
6	4	Kevin BAKER	99	211	1	5	3	x	x	13	16	20	x	x	x	x	13	13	16	x	x
7	139	Mark ABRAHAM	97	213	2	20	16	20	x	11	10	x	x	x	20	x	x	x	x	x	x
8	49	Chris DUNDEE	94	216	3	10	11	16	13	x	x	2	11	10	10	11	x	x	x	x	x
9	797	Aaron WRIGHT	89	221	5	x	20	7	8	x	9	x	25	20	x	x	x	x	x	x	x
10	121	Eoin COLLINS	77	233	12	16	x	6	7	x	x	x	x	x	11	13	x	x	x	11	13
11	70	Kia McGREEVY	76	234	1	x	x	x	x	x	x	x	x	x	x	x	x	16	20	20	20
12	50	Kyle CROSS	65	245	11	4	7	x	9	x	x	x	x	x	8	8	x	x	x	13	16
13	171	Graham WHITMORE	59	251	6	x	x	x	x	9	7	8	x	x	x	x	11	11	13	x	x
14	193	Mark McCONVILLE	56	254	3	x	x	x	x	16	11	13	x	x	x	x	16	x	x	x	x
15	32	Stephen McKEOWN	50	260	6	7	6	10	11	x	x	x	16	x	x	x	x	x	x	x	x
16	18	Andrew IRVINE	45	265	5	8	8	8	16	1	x	x	x	x	x	x	x	x	x	x	4
17	58	Gary WINTERS	44	266	1	x	x	x	x	x	x	x	9	13	6	5	x	x	x	6	5
18	20	Sam LYONS	42	268	2	11	10	4	4	x	x	x	1	x	x	x	x	x	x	5	7
19	12	Alan ARMSTRONG	42	268	0	3	4	2	2	2	x	3	4	x	5	7	x	x	x	4	6
20	167	Jack WARING	41	269	1	x	x	5	6	x	x	x	5	7	x	x	x	x	x	9	9
21	115	Patrick FORMAN	37	273	4	13	13	11	x	x	x	x	x	x	x	x	x	x	x	x	x
22	217	Brendan RYAN	36	274	1	x	x	x	x	x	6	10	x	x	x	x	5	7	8	x	x
23	74	Dylan LEONARD	34	276	2	x	x	x	x	x	x	x	x	x	7	9	x	x	x	8	10
24	20	Evan O'GRADY	31	279	3	x	x	x	x	3	1	x	x	x	x	x	8	9	10	x	x
25	7	David GING	29	281	2	x	x	x	x	10	8	11	x	x	x	x	x	x	x	x	x
26	87	Stephen O'CONNOR	29	281	0	x	x	x	x	8	x	5	x	x	x	x	3	4	9	x	x
27	66	Alan JOHNSTON	27	283	2	x	x	x	x	x	x	x	8	9	4	6	x	x	x	x	x
28	71	Michael BROWNE	20	290	7	x	x	x	x	x	x	x	x	x	x	x	10	10	x	x	x
29	189	Robert O'CONNELL	17	293	3	x	x	x	x	7	3	7	x	x	x	x	x	x	x	x	x
30	120	Gary WRIGHT	17	293	0	x	x	x	1	x	x	x	3	4	3	3	x	x	x	3	x
31	62	Andrei REABOI	16	294	1	x	x	x	x	x	x	x	x	x	x	x	6	3	7	x	x
32	64	Daniel McCLEAN	15	295	1	x	x	x	x	x	x	x	x	x	x	x	x	x	x	7	8
33	132	Trevor LANDERS	15	295	0	x	x	x	x	x	x	x	x	x	x	x	4	5	6	x	x
34	129	Darol O'DONOVAN	14	296	1	x	x	x	x	x	5	9	x	x	x	x	x	x	x	x	x
35	26	Stephen TREACY	14	296	0	x	x	x	x	x	x	1	x	x	x	x	7	6	x	x	x
36	76	Kyle WALSH	14	296	0	x	x	x	x	x	x	x	x	5	2	4	x	x	x	x	3
37	90	Stephen GOUGH	13	297	1	x	x	x	x	x	x	x	x	x	x	x	x	8	5	x	x
38	109	Padraig HEALY	12	298	1	x	x	x	x	4	2	6	x	x	x	x	x	x	x	x	x
39	122	Adam JORDAN	11	299	1	x	1	x	3	x	x	x	7	x	x	x	x	x	x	x	x
40	248	Mark COLLEN	10	300	1	2	2	x	x	x	x	x	6	x	x	x	x	x	x	x	x
41	391	Jonathan GORMLEY	8	302	2	x	x	3	5	x	x	x	x	x	x	x	x	x	x	x	x
42	68	Hugh SMITH	6	304	2	x	x	x	x	x	x	x	x	6	x	x	x	x	x	x	x
43	156	Damien LYNCH	6	304	0	x	x	1	x	x	x	x	2	x	1	2	x	x	x	x	x
44	159	Maurice KEOGH	5	305	1	x	x	x	x	x	x	x	x	3	x	x	x	x	2	x	x
45	108	Kieran MOORE	4	306	1	x	x	x	x	x	4	x	x	x	x	x	x	x	x	x	x
46	59	Ryan MAHER	4	306	0	x	x	x	x	x	x	x	x	x	x	x	x	1	3	x	x
47	52	Kelan SMITH	3	307	1	x	x	x	x	x	x	x	x	2	x	x	x	x	1	x	x
48	127	Andy DONALD	2	308	1	x	x	x	x	x	x	x	x	x	x	x	x	x	x	2	x
49	160	Wayne NICHOLSON	2	308	0	x	x	x	x	x	x	x	x	x	x	x	x	x	x	x	2
50	15	Shane GRAHAM	2	308	0	x	x	x	x	x	x	x	x	x	x	x	2	x	x	x	x
51	131	Lee CHAMBERS	2	308	0	x	x	x	x	x	x	x	x	x	x	x	x	x	x	1	1
52	145	Lee OSPREY	1	309	1	x	x	x	x	x	x	x	x	x	x	1	x	x	x	x	x
53	252	Eric O'BYRNE	1	309	0	x	x	x	x	x	x	x	x	1	x	x	x	x	x	x	x
54	72	Dougie SHEARER	1	309	0	1	x	x	x	x	x	x	x	x	x	x	x	x	x	x	x

**Event Legend**

<b>#1</b>	<b>15/04/2017</b>	IRISH CHAMPIONSHIP R1 - Bishopscourt Nat	<b>#5</b>	<b>03/06/2017</b>	IRISH CHAMPIONSHIP R5 - Kirkistown
<b>#2</b>	<b>17/04/2017</b>	IRISH CHAMPIONSHIP R2 - Kirkistown	<b>#6</b>	<b>24/06/2017</b>	IRISH CHAMPIONSHIP R6 -Mondello Park Nat
<b>#3</b>	<b>06/05/2017</b>	IRISH CHAMPIONSHIP R3- Mondello Park Int	<b>#7</b>	<b>08/07/2017</b>	IRISH CHAMPIONSHIP R7 - Bishopscourt Nat
<b>#4</b>	<b>20/05/2017</b>	IRISH CHAMPIONSHIP R4 - Bishopscourt Nat			

**SHORT CIRCUIT - IRISH SUPERBIKE CUP**

2017

Pos	No.	Name	Total	Diff	Gap	#1		#2		#3			#4		#5		#6			#7	
						R1	R2	R1	R2	R1	R2	R3	R1	R2	R1	R2	R1	R2	R3	R1	R2
1	37	John MATTHEWS	227	0	0	16	16	20	25	x	x	x	25	25	25	25	x	x	x	25	25
2	12	Paul DEMAINE	160	67	67	11	13	16	16	x	x	x	20	20	16	16	x	x	x	16	16
3	106	Michael GILLAN	125	102	35	x	x	11	11	11	16	16	x	x	x	x	20	20	20	x	x
4	60	Dean O'GRADY	107	120	18	x	x	x	x	16	20	20	8	8	x	x	13	11	11	x	x
5	27	Andrew MURPHY	100	127	7	x	x	x	x	25	x	x	x	x	x	x	25	25	25	x	x
6	99	Ashley McLERNON	91	136	9	9	10	10	9	x	x	x	x	x	20	x	x	x	x	20	13
7	139	Mark ABRAHAM	90	137	1	25	20	25	20	x	x	x	x	x	x	x	x	x	x	x	x
8	63	Raymond O'NEILL	87	140	3	x	x	x	x	13	13	13	x	x	x	x	16	16	16	x	x
9	51	David HOLLAND	78	149	9	20	25	9	13	x	x	x	11	x	x	x	x	x	x	x	x
10	70	Anthony DERRANE	74	153	4	10	9	x	x	9	8	9	3	x	x	x	8	8	10	x	x
11	19	Eddie HEALY	70	157	4	x	x	x	x	20	25	25	x	x	x	x	x	x	x	x	x
12	20	Thomas McADOO	69	158	1	8	8	8	8	x	x	x	4	x	x	x	x	x	x	13	20
13	133	Robert TONER	62	165	7	x	x	x	x	8	11	11	x	x	x	x	9	10	13	x	x
14	108	Graeme SMALLWOODS	61	166	1	x	x	x	x	x	x	x	6	9	9	20	x	x	x	8	9
15	64	Matthew BYRNE	59	168	2	5	5	7	7	x	x	x	x	6	5	9	x	x	x	7	8
16	83	Andy McALLISTER	55	172	4	x	x	x	10	x	x	x	16	16	13	x	x	x	x	x	x
17	180	Thomas LAVIN	44	183	11	7	7	x	x	x	x	x	9	11	10	x	x	x	x	x	x
18	115	Patrick FORMAN	37	190	7	13	11	13	x	x	x	x	x	x	x	x	x	x	x	x	x
19	34	Aaron UPRICHARD	36	191	1	6	6	x	x	x	x	x	1	7	6	10	x	x	x	x	x
20	35	Gary McAVOY	35	192	1	x	x	x	x	x	x	x	5	x	11	x	x	x	x	9	10
21	11	John CAHILL	35	192	0	x	x	x	x	x	7	6	x	x	x	x	7	7	8	x	x
22	12	Alan ARMSTRONG	28	199	7	x	x	x	x	x	x	x	x	x	x	x	10	9	9	x	x
23	105	Finian McGAHON	27	200	1	x	x	x	x	10	9	8	x	x	x	x	x	x	x	x	x
24	797	Aaron WRIGHT	26	201	1	x	x	x	x	x	x	x	13	13	x	x	x	x	x	x	x
25	187	Paul SWORDS	26	201	0	x	x	x	x	6	10	10	x	x	x	x	x	x	x	x	x
26	154	David HALLIGAN	24	203	2	x	x	x	x	x	x	x	x	x	x	x	11	13	x	x	x
27	79	Kevin MAHER	23	204	1	x	x	x	x	3	2	1	x	x	x	x	5	5	7	x	x
28	102	Shane CONNOLLY	21	206	2	x	x	x	x	x	x	x	x	x	8	13	x	x	x	x	x
29	122	Steve WATSON	21	206	0	x	x	x	x	x	x	x	x	x	x	x	x	x	x	10	11
30	91	John SHEARER	20	207	1	x	x	x	x	x	x	x	10	10	x	x	x	x	x	x	x
31	62	Stephen McCORMAC	20	207	0	x	x	x	x	7	6	7	x	x	x	x	x	x	x	x	x
32	92	Noel CARROLL	18	209	2	x	x	x	x	x	x	x	x	x	7	11	x	x	x	x	x
33	40	John GRIFFIN	18	209	0	x	x	x	x	x	x	x	x	x	x	x	6	6	6	x	x
34	118	Mick WALSH	17	210	1	x	x	x	x	1	x	4	x	x	x	x	3	4	5	x	x
35	888	Brian MURPHY	15	212	2	x	x	x	x	5	5	5	x	x	x	x	x	x	x	x	x
36	181	Andrew IRVINE	11	216	4	x	x	x	x	x	x	x	x	x	x	x	x	x	x	11	x
37	61	Robin HEATHCOTE	11	216	0	x	x	x	x	4	4	3	x	x	x	x	x	x	x	x	x
38	123	Alan FISHER	9	218	2	x	x	x	x	x	x	x	x	x	x	x	4	2	3	x	x
39	5	Maurice FEALY	8	219	1	x	x	x	x	x	x	x	x	x	x	x	1	3	4	x	x
40	83	Joe McERLEAN	8	219	0	4	4	x	x	x	x	x	x	x	x	x	x	x	x	x	x
41	248	Mark COLLEN	7	220	1	x	x	x	x	x	x	x	7	x	x	x	x	x	x	x	x
42	171	Stephen BUCKLAND	5	222	2	x	x	x	x	x	x	x	x	5	x	x	x	x	x	x	x
43	87	Philip BENSON	5	222	0	x	x	x	x	x	3	2	x	x	x	x	x	x	x	x	x
44	4	David MURRAN	3	224	2	x	x	x	x	2	1	x	x	x	x	x	x	x	x	x	x
45	96	Keith O'SULLIVAN	2	225	1	x	x	x	x	x	x	x	x	x	x	x	2	x	x	x	x
46	87	Trevor MATTHEWSON	2	225	0	x	x	x	x	x	x	x	2	x	x	x	x	x	x	x	x

**Event Legend**

#1	15/04/2017	IRISH CHAMPIONSHIP R1 - Bishops court Nat	#5	03/06/2017	IRISH CHAMPIONSHIP R5 - Kirkistown
#2	17/04/2017	IRISH CHAMPIONSHIP R2 - Kirkistown	#6	24/06/2017	IRISH CHAMPIONSHIP R6 -Mondello Park Nat
#3	06/05/2017	IRISH CHAMPIONSHIP R3- Mondello Park Int	#7	08/07/2017	IRISH CHAMPIONSHIP R7 - Bishops court Nat
#4	20/05/2017	IRISH CHAMPIONSHIP R4 - Bishops court Nat			

**SHORT CIRCUIT - IRISH FORMULA 1 ERA SUPERBIKE with AVON TYRES**

2017

Pos	No.	Name	Total	Diff	Gap	#1		#2		#3			#4		#5		#6			#7		
						R1	R2	R1	R2	R1	R2	R3	R1	R2	R1	R2	R1	R2	R3	R1	R2	
1	1	Chris CAMPBELL	360	0	0	20	25	25	x	25	25	25	25	20	25	20	25	25	25	25	25	25
2	17	Stephen MAGILL	199	161	161	16	16	20	20	x	x	x	16	16	13	16	x	13	13	20	20	20
3	66	Adam O'BOYLE	180	180	19	13	13	x	x	20	20	20	13	x	11	11	16	11	x	16	16	16
4	21	Mark MURPHY	160	200	20	25	20	x	25	x	x	x	20	25	20	25	x	x	x	x	x	x
5	4	David MURRAN	56	304	104	x	x	x	x	x	x	x	x	x	x	x	20	16	20	x	x	x
6	167	Davin CASEY	36	324	20	x	x	x	x	x	x	x	x	x	x	x	x	20	16	x	x	x
7	61	Robin HEATHCOTE	29	331	7	x	x	x	x	x	x	x	x	x	16	13	x	x	x	x	x	x
8	118	Scott BELL	26	334	3	x	x	x	x	x	x	x	x	x	x	x	x	x	x	13	13	13
9	187	Philip BENSON	11	349	15	x	x	x	x	x	x	x	11	x	x	x	x	x	x	x	x	x

**Event Legend**

#1	15/04/2017	IRISH CHAMPIONSHIP R1 - Bishops court Nat	#5	03/06/2017	IRISH CHAMPIONSHIP R5 - Kirkistown
#2	17/04/2017	IRISH CHAMPIONSHIP R2 - Kirkistown	#6	24/06/2017	IRISH CHAMPIONSHIP R6 -Mondello Park Nat
#3	06/05/2017	IRISH CHAMPIONSHIP R3- Mondello Park Int	#7	08/07/2017	IRISH CHAMPIONSHIP R7 - Bishops court Nat
#4	20/05/2017	IRISH CHAMPIONSHIP R4 - Bishops court Nat			



**2&4**  
WHEEL MOTORSPORT  
STEERING GROUP LTD.



MCUI (Ulster Centre) www.mcui-uc.org.uk



# NEIL ROBINSON MEMORIAL RACES

## IRISH CHAMPIONSHIP R7 - Bishopscourt Nat

SUPERSPORT CUP

Bishopscourt National 1.824 miles

R5: A1 Electrics Race Three (Ulster C/ship)

09/07/2017 13:30

Race (10 Laps)

6		1:26.991 46 M. J.	3:46.189 145 L. O.	49 C. D.						
5	1:20.136 131 L. C.	A	1:22.467 151 A. ELLIS	B	1:22.642 164 K. L.	C	1:22.837 142 A. H.	D	127 A. D.	E
4		A	1:18.464 120 G. W.	B	1:19.422 76 K. W.	C	1:19.776 30 D. LIDDY	D	1:19.878 185 B. M.	
3	1:16.725 64 D. M.	A	1:16.890 181 A. I.	B	1:17.390 167 J. W.	C	1:17.515 12 A. A.	D	1:18.228 160 W. N.	E
2		A	1:15.146 58 G. W.	B	1:16.195 121 E. C.	C	1:16.258 74 D. L.	D	1:16.439 20 S. LYONS	
1	1:12.009 221 E. M.	A	1:12.990 70 K. M.	B	1:14.642 27 S. M.	C	1:14.760 40 J. REA	D	1:14.900 50 K. C.	E

POLE POSITION



Promoted by Mid-Antrim 150 Club

Orbits

Provisional result to be confirmed by the Stewards of the Meeting subject to the completion of technical inspections and the time limit for protests

MCUI (Ulster Centre) Timing @ www.elaps-timing.com

*R. Agnew*



**Ride on  
Delta  
Seven**





**2&4**  
WHEEL MOTORSPORT  
STEERING GROUP LTD.



MCUI (Ulster Centre) www.mcui-uc.org.uk



# NEIL ROBINSON MEMORIAL RACES

## IRISH CHAMPIONSHIP R7 - Bishopscourt Nat

SUPERBIKE CUP & F1 ERA SUPERBIKE

Bishopscourt National 1.824 miles

R8: A1 Electrics Race Three (Ulster C/ship)

09/07/2017 14:30

Race (10 Laps)

3

1:20.192  
198 B. S.

A

1:21.103  
66 A. O.

B

1:22.186  
64 M. B.

C

1:27.055  
118 S. BELL

D

2

1:16.654  
181 A. I.

A

1:17.168  
35 G. M.

B

1:18.791  
108 G. S.

C

1:19.116  
17 S. M.

D

1

1:13.233  
1 C. C.

A

1:13.832  
37 J. M.

B

1:15.005  
99 A. M.

C

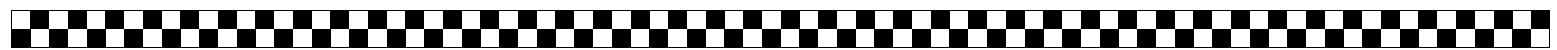
1:16.131  
20 T. M.

D

1:16.584  
12 P. D.

E

POLE POSITION



Promoted by Mid-Antrim 150 Club

Orbits

Provisional result to be confirmed by the Stewards of the Meeting subject to the completion of technical inspections and the time limit for protests  
MCUI (Ulster Centre) Timing @ www.elaps-timing.com

*R. Agnew*



**Ride on  
Delta  
Seven**



**2&4**  
WHEEL MOTORSPORT  
STEERING GROUP LTD.

 MCUI (Ulster Centre) www.mcui-uc.org.uk



## NEIL ROBINSON MEMORIAL RACES

**IRISH CHAMPIONSHIP R7 - Bishopscourt Nat**

**Sorted on best lap time**

**SUPERSPORT CUP**

**Bishopscourt National 1.824 miles**

**Cup Warm-Up**

**09/07/2017 09:36**

**Practice started at 9:41:48**

Pos	Class	No.	Name	T	Make	Sponsor	Best Tm	Diff	Gap	Best Speed	In Lap	Laps	2nd Best
1	ISScup	70	Kia McGREEVY		Honda	McLaughlin Racing	1:13.971			88.770	4	4	1:14.247
2	ISScup	27	Stephen MONTGOMERY		Yamaha	SM Electrical	1:14.246	0.275	0.275	88.441	4	4	1:15.190
3	ISScup	50	Kyle CROSS		Yamaha		1:14.607	0.636	0.361	88.013	4	4	1:15.087
4	ISScup	40	Jaimie REA		Triumph 675	Rea Racing	1:17.128	3.157	2.521	85.136	4	4	1:18.144
5	ISScup	74	Dylan LEONARD		Yamaha		1:17.471	3.500	0.343	84.759	4	4	1:19.023
6	ISScup	20	Sam LYONS		Yamaha	Carryduff Forklift	1:17.609	3.638	0.138	84.609	2	4	1:19.021
7	ISScup	12	Alan ARMSTRONG		Triumph 675		1:18.584	4.613	0.975	83.559	4	4	1:19.437
8	ISScup	167	Jack WARING		Yamaha		1:18.615	4.644	0.031	83.526	3	4	1:19.210
9	ISScup	18	Andrew IRVINE		Suzuki	GSMCC	1:18.890	4.919	0.275	83.235	4	4	1:19.781
10	ISScup	58	Gary WINTERS		Yamaha		1:19.191	5.220	0.301	82.919	2	4	1:19.984
11	ISScup	76	Kyle WALSH		Yamaha		1:20.282	6.311	1.091	81.792	4	4	1:21.273
12	ISScup	164	Kevin LAVERY		Honda	Moria MRC	1:20.458	6.487	0.176	81.613	4	4	1:21.121
13	ISScup	142	Adrian HERATY		Yamaha		1:20.915	6.944	0.457	81.152	3	3	1:24.346
14	ISScup	30	Dave LIDDY		Yamaha	DFR	1:23.092	9.121	2.177	79.026	3	3	1:24.709
15	ISScup	151	Alan ELLIS		Suzuki		1:23.689	9.718	0.597	78.462	4	4	1:27.233
16	ISScup	185	Bryan MOORE		Triumph 675	Bob Wylie Racing	1:25.744	11.773	2.055	76.581	2	2	
17	ISScup	127	Andy DONALD		Kawasaki		1:26.322	12.351	0.578	76.069	2	2	
18	ISScup	131	Lee CHAMBERS		Yamaha		2:20.172	1:06.201	53.850	46.845	2	2	
19	ISScup	160	Wayne NICHOLSON		Yamaha					-	1	1	

### Announcements

No 127 - TRANSPONDER NOT DETECTED

Weather: Bright / Track: Dry

Promoted by Mid-Antrim 150 Club

Orbits

Provisional result to be confirmed by the Stewards of the Meeting subject to the completion of technical inspections and the time limit for protests  
MCUI (Ulster Centre) Timing @ www.elaps-timing.com

*R. Agnew*



**Ride on  
Delta  
Seven**

Printed: 09/07/2017 09:49:03



# NEIL ROBINSON MEMORIAL RACES

## IRISH CHAMPIONSHIP R7 - Bishopscourt Nat

### SUPERSPORT CUP

Bishopscourt National 1.824 miles

### Cup Warm-Up

09/07/2017 09:36

Practice started at 9:41:48

(70) Kia McGREEVY

1		
2	<b>1:20.030</b>	+6.059
3	<b>1:14.247</b>	+0.276
4	<b>1:13.971</b>	

(27) Stephen MONTGOMERY

1		
2	<b>1:18.773</b>	+4.527
3	<b>1:15.190</b>	+0.944
4	<b>1:14.246</b>	

(50) Kyle CROSS

1		
2	<b>1:18.581</b>	+3.974
3	<b>1:15.087</b>	+0.480
4	<b>1:14.607</b>	

(40) Jaimie REA

1		
2	<b>1:20.151</b>	+3.023
3	<b>1:18.144</b>	+1.016
4	<b>1:17.128</b>	

(74) Dylan LEONARD

1		
2	<b>1:19.612</b>	+2.141
3	<b>1:19.023</b>	+1.552
4	<b>1:17.471</b>	

(20) Sam LYONS

1		
2	<b>1:17.609</b>	
3	<b>1:19.021</b>	+1.412
4	<b>1:19.797</b>	+2.188

(12) Alan ARMSTRONG

1		
2	<b>1:19.437</b>	+0.853
3	<b>1:20.032</b>	+1.448
4	<b>1:18.584</b>	

(167) Jack WARING

1		
2	<b>1:21.971</b>	+3.356
3	<b>1:18.615</b>	
4	<b>1:19.210</b>	+0.595

(18) Andrew IRVINE

1		
2	<b>1:23.512</b>	+4.622
3	<b>1:19.781</b>	+0.891
4	<b>1:18.890</b>	

(58) Gary WINTERS

1		
2	<b>1:19.191</b>	
3	<b>1:19.984</b>	+0.793
4	<b>1:20.781</b>	+1.590

(76) Kyle WALSH

1		
2	<b>1:24.525</b>	+4.243
3	<b>1:21.273</b>	+0.991
4	<b>1:20.282</b>	

(164) Kevin LAVERY

1		
2	<b>1:21.121</b>	+0.663
3	<b>1:21.494</b>	+1.036
4	<b>1:20.458</b>	

(142) Adrian HERATY

1		
2	<b>1:24.346</b>	+3.431
3	<b>1:20.915</b>	

(30) Dave LIDDY

1		
2	<b>1:24.709</b>	+1.617
3	<b>1:23.092</b>	

(151) Alan ELLIS

1		
2	<b>1:36.005</b>	+12.316
3	<b>1:27.233</b>	+3.544
4	<b>1:23.689</b>	

(185) Bryan MOORE

1		
2	<b>1:25.744</b>	

(127) Andy DONALD

1		
2	<b>1:26.322</b>	

(131) Lee CHAMBERS

1		
---	--	--

1		
2	<b>2:20.172</b>	

(160) Wayne NICHOLSON

1		
---	--	--

Promoted by Mid-Antrim 150 Club

Provisional result to be confirmed by the Stewards of the Meeting subject to the completion of technical inspections and the time limit for protests  
MCUI (Ulster Centre) Timing @ www.elaps-timing.com

Printed: 09/07/2017 09:49:19



Orbits  
Ride on  
Delta  
Seven



# NEIL ROBINSON MEMORIAL RACES

## IRISH CHAMPIONSHIP R7 - Bishopscourt Nat

Sorted on best lap time

### SUPERBIKE CUP & F1 ERA SUPERBIKE

Bishopscourt National 1.824 miles

### Cup Warm-Up

09/07/2017 10:12

Practice started at 10:07:27

Pos	Class	No.	Name	T	Make	Sponsor	Best Tm	Diff	Gap	Best Speed	In Lap	Laps	2nd Best
<b>F1era</b>													
1	F1era	1	Chris CAMPBELL		Kawasaki 750	Team Rash	1:13.320			89.558	3	3	1:13.658
2	F1era	66	Adam O'BOYLE		Kawasaki 750	R T & E Racing	1:21.951	8.631	8.631	80.126	3	3	1:22.200
<b>ISBcup</b>													
1	ISBcup	37	John MATTHEWS		Honda		1:14.404			88.253	3	3	1:16.392
2	ISBcup	99	Ashley McLERNON		Kawasaki	McLernon Racing	1:15.080	0.676	0.676	87.459	3	3	1:15.473
3	ISBcup	20	Thomas McADOO		Honda		1:16.316	1.912	1.236	86.042	2	2	
4	ISBcup	18	Andrew IRVINE		Suzuki	GSMCC	1:18.726	4.322	2.410	83.408	2	3	1:19.345
5	ISBcup	35	Gary McAVOY		Honda		1:18.727	4.323	0.001	83.407	3	3	1:19.853
6	ISBcup	12	Paul DEMAINE		Suzuki	Antrim Rad	1:19.594	5.190	0.867	82.499	3	3	1:21.404
7	ISBcup	64	Matthew BYRNE		Suzuki 750		1:22.382	7.978	2.788	79.707	3	3	1:24.037

### Announcements

Weather: Bright / Track: Dry

Promoted by Mid-Antrim 150 Club

Orbits

Provisional result to be confirmed by the Stewards of the Meeting subject to the completion of technical inspections and the time limit for protests  
MCUI (Ulster Centre) Timing @ [www.elaps-timing.com](http://www.elaps-timing.com)



**Ride on  
Delta  
Seven**

Printed: 09/07/2017 10:13:10



# NEIL ROBINSON MEMORIAL RACES

## IRISH CHAMPIONSHIP R7 - Bishopscourt Nat

SUPERBIKE CUP & F1 ERA SUPERBIKE

Bishopscourt National 1.824 miles

Cup Warm-Up

09/07/2017 10:12

Practice started at 10:07:27

(1) Chris CAMPBELL

1		
2	1:13.658	+0.338
3	1:13.320	

(37) John MATTHEWS

1		
2	1:16.392	+1.988
3	1:14.404	

(99) Ashley McLERNON

1		
2	1:15.473	+0.393
3	1:15.080	

(20) Thomas McADOO

1		
2	1:16.316	

(18) Andrew IRVINE

1		
2	1:18.726	
3	1:19.345	+0.619

(35) Gary McAVOY

1		
2	1:19.853	+1.126
3	1:18.727	

(12) Paul DEMAINE

1		
2	1:21.404	+1.810
3	1:19.594	

(66) Adam O'BOYLE

1		
2	1:22.200	+0.249
3	1:21.951	

(64) Matthew BYRNE

1		
2	1:24.037	+1.655
3	1:22.382	

Promoted by Mid-Antrim 150 Club

Orbits

Provisional result to be confirmed by the Stewards of the Meeting subject to the completion of technical inspections and the time limit for protests  
MCUI (Ulster Centre) Timing @ www.elaps-timing.com



Ride on  
Delta  
Seven

Printed: 09/07/2017 10:13:30



# NEIL ROBINSON MEMORIAL RACES

## IRISH CHAMPIONSHIP R7 - Bishopscourt Nat

Sorted on Laps

### SUPERSPORT CUP

Bishopscourt National 1.824 miles

R5: A1 Electrics Race Three (Ulster C/ship)

09/07/2017 13:30

Race (12 Laps) started at 13:09:21

Pos	Class	No.	Name	T	Make	Sponsor	Laps	Total Tm	Diff	Gap	Avg. Speed	Best Tm	Best Speed	In Lap
1	ISScup	50	Kyle CROSS		Yamaha		12	14:52.271			88.310	1:12.185	90.966	12
2	ISScup	40	Jaimie REA		Triumph 675	Rea Racing	12	14:54.232	1.961	1.961	88.117	1:13.003	89.947	10
3	ISScup	27	Stephen MONTGOMERY		Yamaha	SM Electrical	12	14:58.601	6.330	4.369	87.688	1:13.638	89.171	5
4	ISScup	58	Gary WINTERS		Yamaha		12	15:11.818	19.547	13.217	86.417	1:14.530	88.104	8
5	ISScup	160	Wayne NICHOLSON		Yamaha		12	15:20.282	28.011	8.464	85.622	1:14.554	88.076	7
6	ISScup	12	Alan ARMSTRONG		Triumph 675		12	15:26.862	34.591	6.580	85.015	1:15.945	86.463	9
7	ISScup	76	Kyle WALSH		Yamaha		12	15:27.393	35.122	0.531	84.966	1:14.889	87.682	12
8	ISScup	74	Dylan LEONARD		Yamaha		12	15:29.079	36.808	1.686	84.812	1:16.028	86.368	10
9	ISScup	131	Lee CHAMBERS		Yamaha		12	15:47.287	55.016	18.208	83.182	1:16.690	85.623	10
10	ISScup	164	Kevin LAVERY		Honda	Moria MRC	12	15:51.894	59.623	4.607	82.779	1:17.671	84.541	9
11	ISScup	18	Andrew IRVINE		Suzuki	GSMCC	12	15:54.432	1:02.161	2.538	82.559	1:18.108	84.068	9
12	ISScup	30	Dave LIDDY		Yamaha	DFR	12	16:05.018	1:12.747	10.586	81.653	1:18.472	83.678	10
13	ISScup	151	Alan ELLIS		Suzuki		11	15:01.303	1 Lap	1 Lap	80.140	1:20.413	81.658	7
14	ISScup	185	Bryan MOORE		Triumph 675	Bob Wylie Racing	11	15:01.651	1 Lap	0.348	80.109	1:19.997	82.083	11
15	ISScup	167	Jack WARING		Yamaha		11	15:57.815	1 Lap	56.164	75.412	1:14.598	88.024	2

Not classified														
DNF	ISScup	145	Lee OSPREY		Kawasaki	DJR	11	14:29.667	DNF		83.055	1:16.960	85.322	10
DNF	ISScup	127	Andy DONALD		Kawasaki		7	9:27.270	DNF		81.028	1:18.965	83.156	3
DNF	ISScup	20	Sam LYONS		Yamaha	Carryduff Forklift	5	6:26.939	DNF		84.851	1:15.772	86.660	2
DNF	ISScup	64	Daniel McCLEAN		Yamaha			0.000	DNF		-	-	-	0
DNS	ISScup	221	Eunan McGLINCHEY		Suzuki			0.000	DNS		-	-	-	0
DNS	ISScup	70	Kia McGREEVY		Honda	McLaughlin Racing		0.000	DNS		-	-	-	0
DNS	ISScup	121	Eoin COLLINS		Kawasaki	Collins Racing		0.000	DNS		-	-	-	0
DNS	ISScup	120	Gary WRIGHT		Suzuki			0.000	DNS		-	-	-	0
DNS	ISScup	142	Adrian HERATY		Yamaha			0.000	DNS		-	-	-	0
DNS	ISScup	46	Mark JOHNSON		Yamaha	MJ Racing		0.000	DNS		-	-	-	0
DNS	ISScup	49	Chris DUNDEE		Suzuki	Dundee Dental Lab		0.000	DNS		-	-	-	0

### Announcements

ISScup 90% = 79.479  
Weather: Bright / Track: Dry

Margin of Victory	Avg. Speed	Best Lap Tm	Best Speed	Best Lap by
1.961	88.310	1:12.185	90.966	50 - Kyle CROSS

Promoted by Mid-Antrim 150 Club

Orbits

Provisional result to be confirmed by the Stewards of the Meeting subject to the completion of technical inspections and the time limit for protests  
MCUI (Ulster Centre) Timing @ www.elaps-timing.com



Ride on Delta Seven

Printed: 09/07/2017 13:30:42



# NEIL ROBINSON MEMORIAL RACES

## IRISH CHAMPIONSHIP R7 - Bishopscourt Nat

### SUPERSPORT CUP

### Bishopscourt National 1.824 miles

### R5: A1 Electrics Race Three (Ulster C/ship)

09/07/2017 13:30

### Race (12 Laps) started at 13:09:21

Driver	Lap	Time	Delta	Driver	Lap	Time	Delta
(50) Kyle CROSS	1	1:19.436	+7.251	(74) Dylan LEONARD	1	1:24.635	+8.607
	2	1:13.195	+1.010		2	1:16.364	+0.336
	3	1:13.498	+1.313		3	1:17.418	+1.390
	4	1:13.778	+1.593		4	1:17.085	+1.057
	5	1:14.108	+1.923		5	1:16.416	+0.388
	6	1:14.611	+2.426		6	1:17.201	+1.173
	7	1:14.383	+2.198		7	1:16.723	+0.695
	8	1:15.061	+2.876		8	1:16.089	+0.061
	9	1:14.220	+2.035		9	1:17.372	+1.344
	10	1:13.783	+1.598		10	1:16.028	
	11	1:14.013	+1.828		11	1:17.125	+1.097
	12	1:12.185			12	1:16.623	+0.595
(40) Jaimie REA	1	1:20.291	+7.288	(131) Lee CHAMBERS	1	1:28.461	+11.771
	2	1:15.009	+2.006		2	1:19.182	+2.492
	3	1:14.550	+1.547		3	1:17.880	+1.190
	4	1:14.249	+1.246		4	1:19.263	+2.573
	5	1:13.376	+0.373		5	1:18.442	+1.752
	6	1:14.525	+1.522		6	1:18.020	+1.330
	7	1:14.253	+1.250		7	1:19.088	+2.398
	8	1:13.577	+0.574		8	1:17.834	+1.144
	9	1:13.471	+0.468		9	1:17.295	+0.605
	10	1:13.003			10	1:16.690	
	11	1:14.207	+1.204		11	1:17.171	+0.481
	12	1:13.721	+0.718		12	1:17.961	+1.271
(27) Stephen MONTGOMERY	1	1:21.886	+8.248	(164) Kevin LAVERY	1	1:28.188	+10.517
	2	1:14.680	+1.042		2	1:20.109	+2.438
	3	1:13.788	+0.150		3	1:17.904	+0.233
	4	1:13.955	+0.317		4	1:19.087	+1.416
	5	1:13.638			5	1:18.754	+1.083
	6	1:14.322	+0.684		6	1:18.928	+1.257
	7	1:14.275	+0.637		7	1:17.875	+0.204
	8	1:13.818	+0.180		8	1:17.712	+0.041
	9	1:13.972	+0.334		9	1:17.671	
	10	1:13.962	+0.324		10	1:17.918	+0.247
	11	1:14.238	+0.600		11	1:18.181	+0.510
	12	1:16.067	+2.429		12	1:19.567	+1.896
(58) Gary WINTERS	1	1:24.919	+10.389	(18) Andrew IRVINE	1	1:27.461	+9.353
	2	1:16.092	+1.562		2	1:18.939	+0.831
	3	1:16.098	+1.568		3	1:18.754	+0.646
	4	1:14.852	+0.322		4	1:18.766	+0.658
	5	1:15.090	+0.560		5	1:19.455	+1.347
	6	1:16.192	+1.303		6	1:18.928	+1.257
	7	1:16.341	+1.452		7	1:17.875	+0.204
	8	1:16.457	+1.568		8	1:17.712	+0.041
	9	1:16.496	+1.607		9	1:17.671	
	10	1:16.096	+1.207		10	1:17.918	+0.247
	11	1:16.958	+2.069		11	1:18.181	+0.510
	12	1:14.889			12	1:19.567	+1.896
	1	1:15.147	+0.617		1	1:19.896	+1.788
	2	1:13.195	+1.010		2	1:18.246	+0.138
	3	1:13.498	+1.313		3	1:18.294	+0.186
	4	1:13.778	+1.593		4	1:18.108	
	5	1:14.108	+1.923		5	1:18.169	+0.061
	6	1:14.611	+2.426		6	1:19.056	+0.948
	7	1:14.383	+2.198		7	1:19.288	+1.180
	8	1:15.061	+2.876		8	1:30.782	+12.310
	9	1:14.220	+2.035		9	1:20.220	+1.748
	10	1:13.783	+1.598		10	1:19.787	+1.315
	11	1:14.013	+1.828		11	1:19.257	+0.785
	12	1:12.185			12	1:18.873	+0.401
	1	1:25.828	+11.274		1	1:19.387	+0.915
	2	1:16.680	+2.126		2	1:19.808	+1.336
	3	1:16.403	+1.849		3	1:19.068	+0.596
	4	1:16.755	+2.201		4	1:19.945	+1.473
	5	1:16.449	+1.895		5	1:18.472	
	6	1:16.826	+2.272		6	1:18.503	+0.031
	7	1:14.554			7	1:20.916	+2.444
	8	1:15.270	+0.716		8	1:30.845	+10.232
	9	1:15.196	+0.642		9	1:21.597	+1.184
	10	1:15.863	+1.309		10	1:20.731	+0.318
	11	1:15.459	+0.905		11	1:20.731	+0.318
	12	1:14.999	+0.445		12	1:21.275	+0.862
	1	1:25.354	+9.409		1	1:20.752	+0.339
	2	1:16.496	+0.551		2	1:22.000	+1.587
	3	1:16.673	+0.728		3	1:20.413	
	4	1:17.402	+1.457		4	1:21.243	+0.830
	5	1:16.863	+0.918		5	1:20.878	+0.465
	6	1:16.676	+0.731		6	1:21.282	+0.869
	7	1:16.542	+0.597		7	1:20.487	+0.074
	8	1:16.077	+0.132		8	1:20.752	+0.339
	9	1:15.945			9	1:22.000	+1.587
	10	1:16.039	+0.094		10	1:20.413	
	11	1:16.327	+0.382		11	1:21.243	+0.830
	12	1:16.468	+0.523		12	1:21.243	+0.830
	1	1:26.756	+11.867		1	1:21.243	+0.830
	2	1:17.027	+2.138		2	1:20.878	+0.465
	3	1:16.431	+1.542		3	1:21.282	+0.869
	4	1:17.003	+2.114		4	1:20.487	+0.074
	5	1:16.747	+1.858		5	1:20.752	+0.339
	6	1:16.192	+1.303		6	1:22.000	+1.587
	7	1:16.341	+1.452		7	1:20.413	
	8	1:16.457	+1.568		8	1:21.243	+0.830
	9	1:16.496	+1.607		9	1:21.243	+0.830
	10	1:16.096	+1.207		10	1:20.878	+0.465
	11	1:16.958	+2.069		11	1:21.282	+0.869
	12	1:14.889			12	1:20.487	+0.074
	1	1:24.919	+10.389		1	1:30.108	+10.111
	2	1:16.092	+1.562		2	1:20.840	+0.843
	3	1:16.098	+1.568		3	1:21.416	+1.419
	4	1:14.852	+0.322		4	1:22.233	+2.236
	5	1:15.090	+0.560		5	1:21.147	+1.150
	6	1:16.192	+1.303		6	1:21.668	+1.671
	7	1:16.341	+1.452		7	1:21.733	+1.736
	8	1:16.457	+1.568		8	1:21.180	+1.183
	9	1:16.496	+1.607		9	1:20.741	+0.744
	10	1:16.096	+1.207		10	1:20.588	+0.591
	11	1:16.958	+2.069		11	1:19.997	
	12	1:14.889			12	1:19.997	
	1	1:24.919	+10.389		1	1:30.108	+10.111
	2	1:16.092	+1.562		2	1:20.840	+0.843
	3	1:16.098	+1.568		3	1:21.416	+1.419
	4	1:14.852	+0.322		4	1:22.233	+2.236
	5	1:15.090	+0.560		5	1:21.147	+1.150
	6	1:16.192	+1.303		6	1:21.668	+1.671
	7	1:16.341	+1.452		7	1:21.733	+1.736
	8	1:16.457	+1.568		8	1:21.180	+1.183
	9	1:16.496	+1.607		9	1:20.741	+0.744
	10	1:16.096	+1.207		10	1:20.588	+0.591
	11	1:16.958	+2.069		11	1:19.997	
	12	1:14.889			12	1:19.997	
	1	1:24.919	+10.389		1	1:30.108	+10.111
	2	1:16.092	+1.562		2	1:20.840	+0.843
	3	1:16.098	+1.568		3	1:21.416	+1.419
	4	1:14.852	+0.322		4	1:22.233	+2.236
	5	1:15.090	+0.560		5	1:21.147	+1.150
	6	1:16.192	+1.303		6	1:21.668	+1.671
	7	1:16.341	+1.452		7	1:21.733	+1.736
	8	1:16.457	+1.568		8	1:21.180	+1.183
	9	1:16.496	+1.607		9	1:20.741	+0.744
	10	1:16.096	+1.207		10	1:20.588	+0.591
	11	1:16.958	+2.069		11	1:19.997	
	12	1:14.889			12	1:19.997	

Promoted by Mid-Antrim 150 Club

Orbits

Provisional result to be confirmed by the Stewards of the Meeting subject to the completion of technical inspections and the time limit for protests  
MCUI (Ulster Centre) Timing @ www.elaps-timing.com



Ride on Delta Seven



**2&4**  
WHEEL MOTORSPORT  
STEERING GROUP LTD.



MCUI (Ulster Centre) www.mcui-uc.org.uk



# NEIL ROBINSON MEMORIAL RACES

## IRISH CHAMPIONSHIP R7 - Bishopscourt Nat

**SUPERSPORT CUP**

**Bishopscourt National 1.824 miles**

**R5: A1 Electrics Race Three (Ulster C/ship)**

**09/07/2017 13:30**

**Race (12 Laps) started at 13:09:21**

1	1:20.567	+5.969
2	<b>1:14.598</b>	
3	3:08.077	+1:53.479
4	1:19.027	+4.429
5	1:16.179	+1.581
6	1:17.339	+2.741
7	1:16.726	+2.128
8	1:15.045	+0.447
9	1:16.080	+1.482
10	1:15.725	+1.127
11	1:18.452	+3.854

(145) Lee OSPREY

1	1:28.255	+11.295
2	1:18.554	+1.594
3	1:18.686	+1.726
4	1:19.008	+2.048
5	1:19.250	+2.290
6	1:18.547	+1.587
7	1:17.402	+0.442
8	1:17.695	+0.735
9	1:17.198	+0.238
10	<b>1:16.960</b>	
11	1:18.112	+1.152

(127) Andy DONALD

1	1:29.195	+10.230
2	1:19.596	+0.631
3	<b>1:18.965</b>	
4	1:19.509	+0.544
5	1:19.813	+0.848
6	1:20.023	+1.058
7	1:20.169	+1.204

(20) Sam LYONS

1	1:21.537	+5.765
2	<b>1:15.772</b>	
3	1:16.300	+0.528
4	1:16.540	+0.768
5	1:16.790	+1.018

Promoted by Mid-Antrim 150 Club

Orbits

Provisional result to be confirmed by the Stewards of the Meeting subject to the completion of technical inspections and the time limit for protests  
MCUI (Ulster Centre) Timing @ www.elaps-timing.com



**Ride on  
Delta  
Seven**





# NEIL ROBINSON MEMORIAL RACES

## IRISH CHAMPIONSHIP R7 - Bishopscourt Nat

Sorted on Laps

### SUPERBIKE CUP & F1 ERA SUPERBIKE

Bishopscourt National 1.824 miles

### R8: A1 Electrics Race Three (Ulster C/ship)

09/07/2017 14:30

Race (12 Laps) started at 14:22:21

Pos	Class	No.	Name	T	Make	Sponsor	Laps	Total Tm	Diff	Gap	Avg. Speed	Best Tm	Best Speed	In Lap
<b>F1era</b>														
1	F1era	1	Chris CAMPBELL		Kawasaki 750	Team Rash	12	14:47.703			88.765	1:12.130	91.036	9
2	F1era	17	Stephen MAGILL		Suzuki 1000	SM Autotune	11	14:55.586	1 Lap	1 Lap	80.652	1:19.928	82.154	10
Not classified														
DNF	F1era	66	Adam O'BOYLE		Kawasaki 750	R T & E Racing	5	6:58.346	DNF		78.480	1:21.987	80.091	2
DNS	F1era	118	Scott BELL		Kawasaki 750			0.000	DNS		-	-	-	0
<b>ISB</b>														
1	ISB	198	Benny SMITH		Yamaha	Smithform Construction	11	14:56.064			80.609	1:19.403	82.697	10
<b>ISBcup</b>														
1	ISBcup	37	John MATTHEWS		Honda		12	14:53.902			88.149	1:13.382	89.482	10
2	ISBcup	99	Ashley McLERNON		Kawasaki	McLernon Racing	12	15:02.119	8.217	8.217	87.346	1:13.786	88.992	2
3	ISBcup	12	Paul DEMAINE		Suzuki	Antrim Rad	12	15:05.625	11.723	3.506	87.008	1:14.529	88.105	3
4	ISBcup	35	Gary McAVOY		Honda		12	15:21.695	27.793	16.070	85.491	1:15.811	86.615	10
5	ISBcup	18	Andrew IRVINE		Suzuki	GSMCC	12	15:33.317	39.415	11.622	84.427	1:16.743	85.564	10
6	ISBcup	64	Matthew BYRNE		Suzuki 750		11	14:56.760	1 Lap	1 Lap	80.546	1:20.043	82.036	11
Not classified														
DNF	ISBcup	20	Thomas McADOO		Honda		8	11:05.352	DNF		78.952	1:13.181	89.728	4
DNS	ISBcup	108	Graeme SMALLWOODS		Honda			0.000	DNS		-	-	-	0

### Announcements

ISBcup 90% = 79.334, F1era 90% = 79.889

Weather: Bright / Track: Dry

Margin of Victory	Avg. Speed	Best Lap Tm	Best Speed	Best Lap by
6.199	88.765	1:12.130	91.036	1 - Chris CAMPBELL

Promoted by Mid-Antrim 150 Club

Orbits

Provisional result to be confirmed by the Stewards of the Meeting subject to the completion of technical inspections and the time limit for protests

MCUI (Ulster Centre) Timing @ www.elaps-timing.com



Ride on Delta Seven

Printed: 09/07/2017 14:40:18



# NEIL ROBINSON MEMORIAL RACES

## IRISH CHAMPIONSHIP R7 - Bishopscourt Nat

SUPERBIKE CUP & F1 ERA SUPERBIKE

Bishopscourt National 1.824 miles

R8: A1 Electrics Race Three (Ulster C/ship)

09/07/2017 14:30

Race (12 Laps) started at 14:22:21

(1) Chris CAMPBELL			(35) Gary McAVOY			(198) Benny SMITH		
1	1:18.592	+6.462	1	1:22.609	+6.798	1	1:28.240	+8.837
2	1:12.722	+0.592	2	1:16.570	+0.759	2	1:21.618	+2.215
3	1:12.498	+0.368	3	1:16.166	+0.355	3	1:20.653	+1.250
4	1:13.166	+1.036	4	1:15.912	+0.101	4	1:20.200	+0.797
5	1:13.507	+1.377	5	1:16.306	+0.495	5	1:20.209	+0.806
6	1:14.825	+2.695	6	1:16.319	+0.508	6	1:21.708	+2.305
7	1:15.418	+3.288	7	1:16.108	+0.297	7	1:20.905	+1.502
8	1:15.264	+3.134	8	1:16.457	+0.646	8	1:20.685	+1.282
9	1:12.130		9	1:16.495	+0.684	9	1:19.412	+0.009
10	1:12.517	+0.387	10	1:15.811		10	1:19.403	
11	1:13.268	+1.138	11	1:16.654	+0.843	11	1:23.031	+3.628
12	1:13.796	+1.666	12	1:16.288	+0.477	(64) Matthew BYRNE		
(37) John MATTHEWS			(18) Andrew IRVINE			1 1:29.173 +9.130		
1	1:20.039	+6.657	1	1:24.154	+7.411	2	1:21.406	+1.363
2	1:14.008	+0.626	2	1:17.477	+0.734	3	1:22.243	+2.200
3	1:14.685	+1.303	3	1:17.333	+0.590	4	1:21.495	+1.452
4	1:14.092	+0.710	4	1:17.493	+0.750	5	1:20.174	+0.131
5	1:14.047	+0.665	5	1:17.405	+0.662	6	1:21.495	+1.452
6	1:13.566	+0.184	6	1:17.318	+0.575	7	1:20.401	+0.358
7	1:13.748	+0.366	7	1:16.812	+0.069	8	1:20.138	+0.095
8	1:13.493	+0.111	8	1:17.496	+0.753	9	1:20.053	+0.010
9	1:13.583	+0.201	9	1:17.282	+0.539	10	1:20.139	+0.096
10	1:13.382		10	1:16.743		11	1:20.043	
11	1:13.537	+0.155	11	1:17.022	+0.279	(20) Thomas McADOO		
12	1:15.722	+2.340	12	1:16.782	+0.039	1	1:21.780	+8.599
(99) Ashley McLERNON			(17) Stephen MAGILL			2	1:14.764	+1.583
1	1:21.319	+7.533	1	1:26.961	+7.033	3	1:14.381	+1.200
2	1:13.786		2	1:20.027	+0.099	4	1:13.181	
3	1:14.074	+0.288	3	1:20.560	+0.632	5	1:13.464	+0.283
4	1:13.851	+0.065	4	1:20.865	+0.937	6	1:14.024	+0.843
5	1:14.156	+0.370	5	1:21.672	+1.744	7	1:14.454	+1.273
6	1:14.076	+0.290	6	1:21.846	+1.918	8	2:19.304	+1:06.123
7	1:14.394	+0.608	7	1:20.964	+1.036	(66) Adam O'BOYLE		
8	1:15.610	+1.824	8	1:21.068	+1.140	1	1:27.503	+5.516
9	1:14.812	+1.026	9	1:20.311	+0.383	2	1:21.987	
10	1:15.359	+1.573	10	1:19.928		3	1:22.919	+0.932
11	1:15.405	+1.619	11	1:21.384	+1.456	4	1:23.479	+1.492
12	1:15.277	+1.491				5	1:22.458	+0.471
(12) Paul DEMAINE								
1	1:20.941	+6.412						
2	1:15.329	+0.800						
3	1:14.529							
4	1:15.880	+1.351						
5	1:14.664	+0.135						

Promoted by Mid-Antrim 150 Club

Orbits

Provisional result to be confirmed by the Stewards of the Meeting subject to the completion of technical inspections and the time limit for protests  
MCUI (Ulster Centre) Timing @ www.elaps-timing.com



Ride on Delta Seven

**SHORT CIRCUIT - ULSTER SUPERSPORT CUP**

2017

Pos	No.	Name	Total	Diff	Gap	#1		#2		#3		#4		#5		
						R1	R2	R1	R2	R1	R2	R1	R2	R1	R2	R3
1	221	Eunan McGLINCHY	195	0	0	x	x	25	25	20	25	25	25	25	25	x
2	40	Jaimie REA	141	54	54	6	5	13	20	13	16	16	16	x	20	
3	27	Stephen MONTGOMERY	114	81	27	9	9	9	10	10	11	9	10	10	11	16
4	49	Chris DUNDEE	92	103	22	10	11	16	13	11	10	10	11	x	x	x
5	50	Kyle CROSS	90	105	2	4	7	x	9	x	x	8	8	13	16	25
6	797	Aaron WRIGHT	80	115	10	x	20	7	8	25	20	x	x	x	x	x
7	121	Eoin COLLINS	77	118	3	16	x	6	7	x	x	11	13	11	13	x
8	139	Mark ABRAHAM	76	119	1	20	16	20	x	x	x	20	x	x	x	x
9	58	Gary WINTERS	57	138	19	x	x	x	x	9	13	6	5	6	5	13
10	69	Caolan IRWIN	50	145	7	25	25	x	x	x	x	x	x	x	x	x
11	32	Stephen McKEOWN	50	145	0	7	6	10	11	16	x	x	x	x	x	x
12	18	Andrew IRVINE	49	146	1	8	8	8	16	x	x	x	x	x	4	5
13	12	Alan ARMSTRONG	47	148	2	3	4	2	2	4	x	5	7	4	6	10
14	74	Dylan LEONARD	42	153	5	x	x	x	x	x	x	7	9	8	10	8
15	20	Sam LYONS	42	153	0	11	10	4	4	1	x	x	x	5	7	x
16	167	Jack WARING	42	153	0	x	x	5	6	5	7	x	x	9	9	1
17	39	Luke O'HIGGINS	41	154	1	x	x	x	x	x	8	13	20	x	x	x
18	70	Kia McGREEVY	40	155	1	x	x	x	x	x	x	x	x	20	20	x
19	115	Patrick FORMAN	37	158	3	13	13	11	x	x	x	x	x	x	x	x
20	66	Alan JOHNSTON	27	168	10	x	x	x	x	8	9	4	6	x	x	x
21	76	Kyle WALSH	23	172	4	x	x	x	x	x	5	2	4	x	3	9
22	120	Gary WRIGHT	17	178	6	x	x	x	1	3	4	3	3	3	x	x
23	64	Daniel McCLEAN	15	180	2	x	x	x	x	x	x	x	x	7	8	x
24	160	Wayne NICHOLSON	13	182	2	x	x	x	x	x	x	x	x	x	2	11
25	122	Adam JORDAN	11	184	2	x	1	x	3	7	x	x	x	x	x	x
26	248	Mark COLLEN	10	185	1	2	2	x	x	6	x	x	x	x	x	x
27	131	Lee CHAMBERS	9	186	1	x	x	x	x	x	x	x	x	1	1	7
28	391	Jonathan GORMLEY	8	187	1	x	x	3	5	x	x	x	x	x	x	x
29	4	Kevin BAKER	8	187	0	5	3	x	x	x	x	x	x	x	x	x
30	164	Kevin LAVERY	6	189	2	x	x	x	x	x	x	x	x	x	x	6
31	68	Hugh SMITH	6	189	0	x	x	x	x	x	6	x	x	x	x	x
32	156	Damien LYNCH	6	189	0	x	x	1	x	2	x	1	2	x	x	x
33	30	Dave LIDDY	4	191	2	x	x	x	x	x	x	x	x	x	x	4
34	151	Alan ELLIS	3	192	1	x	x	x	x	x	x	x	x	x	x	3
35	159	Maurice KEOGH	3	192	0	x	x	x	x	x	3	x	x	x	x	x
36	127	Andy DONALD	2	193	1	x	x	x	x	x	x	x	x	2	x	x
37	185	Bryan MOORE	2	193	0	x	x	x	x	x	x	x	x	x	x	2
38	52	Kelan SMITH	2	193	0	x	x	x	x	x	2	x	x	x	x	x
39	145	Lee OSPREY	1	194	1	x	x	x	x	x	x	x	1	x	x	x
40	252	Eric O'BYRNE	1	194	0	x	x	x	x	x	1	x	x	x	x	x
41	72	Dougie SHEARER	1	194	0	1	x	x	x	x	x	x	x	x	x	x

**Event Legend**

#1	15/04/2017	IRISH CHAMPIONSHIP R1 - Bishopscourt Nat	#4	03/06/2017	IRISH CHAMPIONSHIP R5 - Kirkistown
#2	17/04/2017	IRISH CHAMPIONSHIP R2 - Kirkistown	#5	08/07/2017	IRISH CHAMPIONSHIP R7 - Bishopscourt Nat
#3	20/05/2017	IRISH CHAMPIONSHIP R4 - Bishopscourt Nat			

**SHORT CIRCUIT - ULSTER FORMULA 1 ERA SUPERBIKE**

2017

Pos	No.	Name	Total	Diff	Gap	#1		#2		#3		#4		#5		
						R1	R2	R1	R2	R1	R2	R1	R2	R1	R2	R3
1	1	Chris CAMPBELL	235	0	0	20	25	25	x	25	20	25	20	25	25	25
2	17	Stephen MAGILL	193	42	42	16	16	20	20	16	16	13	16	20	20	20
3	21	Mark MURPHY	160	75	33	25	20	x	25	20	25	20	25	x	x	x
4	66	Adam O'BOYLE	93	142	67	13	13	x	x	13	x	11	11	16	16	x
5	61	Robin HEATHCOTE	29	206	64	x	x	x	x	x	x	16	13	x	x	x
6	118	Scott BELL	26	209	3	x	x	x	x	x	x	x	x	13	13	x
7	187	Philip BENSON	11	224	15	x	x	x	x	11	x	x	x	x	x	x

**Event Legend**

#1	15/04/2017	IRISH CHAMPIONSHIP R1 - Bishops court Nat	#4	03/06/2017	IRISH CHAMPIONSHIP R5 - Kirkistown
#2	17/04/2017	IRISH CHAMPIONSHIP R2 - Kirkistown	#5	08/07/2017	IRISH CHAMPIONSHIP R7 - Bishops court Nat
#3	20/05/2017	IRISH CHAMPIONSHIP R4 - Bishops court Nat			

Championship Standings of SHORT CIRCUIT - ULSTER SUPERBIKE CUP Printed:: 09/07/2017 14:41:14

**SHORT CIRCUIT - ULSTER SUPERBIKE CUP**

2017

Pos	No.	Name	Total	Diff	Gap	#1		#2		#3		#4		#5		
						R1	R2	R1	R2	R1	R2	R1	R2	R1	R2	R3
1	37	John MATTHEWS	252	0	0	16	16	20	25	25	25	25	25	25	25	
2	12	Paul DEMAINE	176	76	76	11	13	16	16	20	20	16	16	16	16	
3	99	Ashley McLERNON	111	141	65	9	10	10	9	x	x	20	x	20	13	20
4	139	Mark ABRAHAM	90	162	21	25	20	25	20	x	x	x	x	x	x	x
5	51	David HOLLAND	78	174	12	20	25	9	13	11	x	x	x	x	x	
6	20	Thomas McADOO	69	183	9	8	8	8	8	4	x	x	x	13	20	x
7	64	Matthew BYRNE	69	183	0	5	5	7	7	x	6	5	9	7	8	10
8	108	Graeme SMALLWOODS	61	191	8	x	x	x	x	6	9	9	20	8	9	x
9	83	Andy McALLISTER	55	197	6	x	x	x	10	16	16	13	x	x	x	x
10	35	Gary McAVOY	48	204	7	x	x	x	x	5	x	11	x	9	10	13
11	180	Thomas LAVIN	44	208	4	7	7	x	x	9	11	10	x	x	x	x
12	115	Patrick FORMAN	37	215	7	13	11	13	x	x	x	x	x	x	x	x
13	34	Aaron UPRICHARD	36	216	1	6	6	x	x	1	7	6	10	x	x	x
14	797	Aaron WRIGHT	26	226	10	x	x	x	x	13	13	x	x	x	x	x
15	106	Michael GILLAN	22	230	4	x	x	11	11	x	x	x	x	x	x	x
16	181	Andrew IRVINE	22	230	0	x	x	x	x	x	x	x	x	11	x	11
17	70	Anthony DERRANE	22	230	0	10	9	x	x	3	x	x	x	x	x	x
18	102	Shane CONNOLLY	21	231	1	x	x	x	x	x	x	8	13	x	x	x
19	122	Steve WATSON	21	231	0	x	x	x	x	x	x	x	x	10	11	x
20	91	John SHEARER	20	232	1	x	x	x	x	10	10	x	x	x	x	x
21	92	Noel CARROLL	18	234	2	x	x	x	x	x	x	7	11	x	x	x
22	60	Dean O'GRADY	16	236	2	x	x	x	x	8	8	x	x	x	x	x
23	83	Joe McERLEAN	8	244	8	4	4	x	x	x	x	x	x	x	x	x
24	248	Mark COLLEN	7	245	1	x	x	x	x	7	x	x	x	x	x	x
25	171	Stephen BUCKLAND	5	247	2	x	x	x	x	x	5	x	x	x	x	x
26	87	Trevor MATTHEWSON	2	250	3	x	x	x	x	2	x	x	x	x	x	x

**Event Legend**

#1	15/04/2017	IRISH CHAMPIONSHIP R1 - Bishops court Nat	#4	03/06/2017	IRISH CHAMPIONSHIP R5 - Kirkistown
#2	17/04/2017	IRISH CHAMPIONSHIP R2 - Kirkistown	#5	08/07/2017	IRISH CHAMPIONSHIP R7 - Bishops court Nat
#3	20/05/2017	IRISH CHAMPIONSHIP R4 - Bishops court Nat			